

## VISIO HUB

The multipurpose Visio Hub tables meet the increasing needs of businesses to manage information inside and outside the company.

Available in various formats, the **Visio Hub** provides a simple way of creating connected collaborative spaces to meet, share and communicate together or remotely.



**Workstation with technical wall**  
White - Nebraska - White wall



**Workstations with technical wall**  
Black - Nebraska - Clay wall

# VISIO HUB

WARRANTY  
**10**  
YEARS

## Technical wall

Technical wall dimensions D 13,5 / H 186,5 / L 120 cm, equipped with a removable facing to access the cables.

## Top

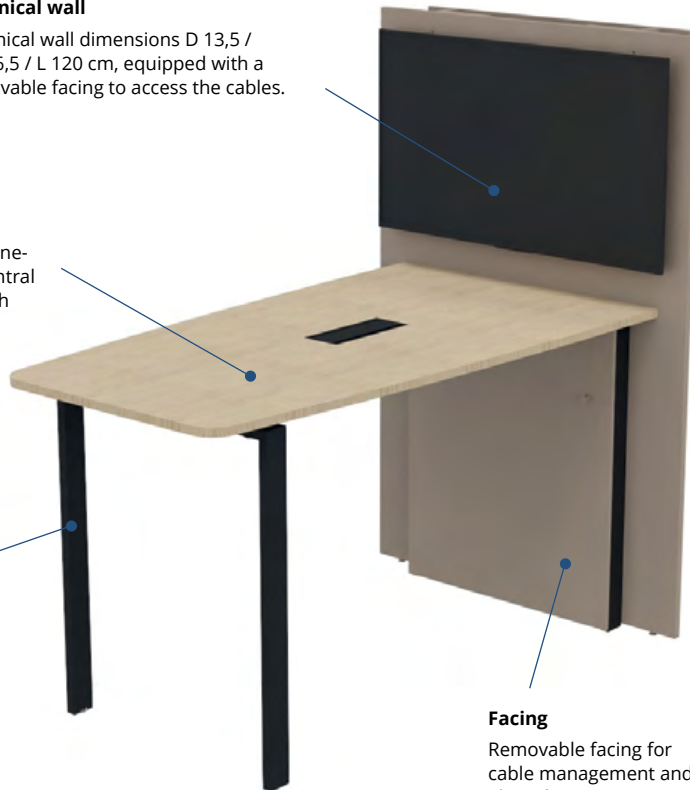
25 mm thick Structurex® melamine-coated tops, equipped with a central double opening Top Access hatch (dim. 316 x 148 mm).

## Leg

Metal arch leg in lacquered epoxy finish, cross-section 70 x 30 mm.

## Facing

Removable facing for cable management and electrification.



Download the data sheet



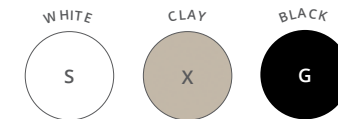
## CHARACTERISTICS



— Metal legs finishes —



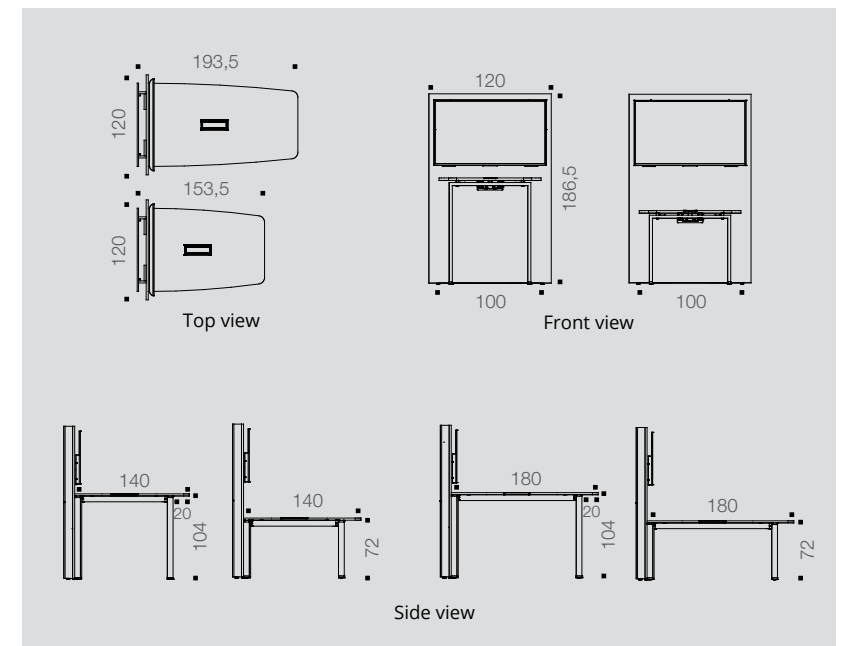
— Tops MFC finishes —

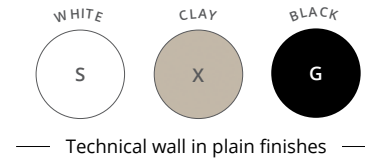
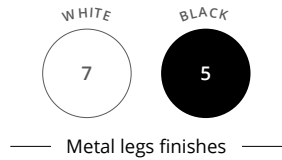


— Technical wall in plain finishes —

## TECHNICAL DESCRIPTION

- Workstations dimensions : L 140, L 180 / H 72 cm and L 140, L 180 / H 104 cm. Depth 100 cm.
- Technical wall dimensions : D 13,5 / H 186,5 / L 120 cm, equipped with a removable facing to access the cables.
- 25 mm thick Structurex® melamine-coated tops. 2 mm thick shock-proof ABS edging.
- Metal arch leg in lacquered epoxy finish, cross-section 70 x 30 mm.
- Tops fitted with a central double opening Top Access hatch (dim. 316 x 148 mm), white or black Top Access hatch finishes depending on the metal legs finishes (optional metal cable trays, L 90 or L 130 cm).
- Adjustable screw feet to compensate for any unevenness in the floor.
- Removable facing made of a 16 mm thick Structurex® melamine-coated panel, connecting the table and the technical wall.
- Structure equipped with inserts to attach the optional "TV screen bracket".
- Various holes are provided to feed and connect the power cables to the technical wall.

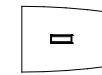




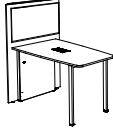
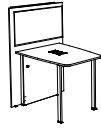






## WORKSTATIONS





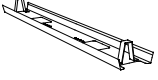
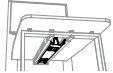

L 180 CM TOP



L 140 CM TOP

With technical wall					With technical wall						
	Ref.	Leg finish	Top finish	Technical wall finish		Ref.	Leg finish	Top finish	Technical wall finish		
<b>Workstations with technical wall H 104 cm</b> Double opening Top Access hatch included D 120 / H 186,5 / L 193,5 or L 153,5 cm D 100 cm top		DQ80	+ <input type="checkbox"/>	+ <input type="checkbox"/>	+ <input type="checkbox"/>		DQ81	+ <input type="checkbox"/>	+ <input type="checkbox"/>	+ <input type="checkbox"/>	
<b>Workstations with technical wall H 72 cm</b> Double opening Top Access hatch included D 120 / H 186,5 / L 193,5 cm or L 153,5 cm D 100 cm top		DQ82	+ <input type="checkbox"/>	+ <input type="checkbox"/>	+ <input type="checkbox"/>		DU78	+ <input type="checkbox"/>	+ <input type="checkbox"/>	+ <input type="checkbox"/>	
Single stations					Single stations						
	Ref.	Leg finish	Top finish		Ref.	Leg finish	Top finish		Ref.	Leg finish	Top finish
<b>Workstations H 104 cm</b> Double opening Top Access hatch included D 100 / H 104 cm		DQ83	+ <input type="checkbox"/>	+ <input type="checkbox"/>	—		DQ84	+ <input type="checkbox"/>	+ <input type="checkbox"/>	—	
<b>Workstations H 72 cm</b> Double opening Top Access hatch included D 100 / H 72 cm		DQ85	+ <input type="checkbox"/>	+ <input type="checkbox"/>	—		DU79	+ <input type="checkbox"/>	+ <input type="checkbox"/>	—	

### ► Options

	Description	 WHITE	 BLACK
		Ref.	Ref.
<b>Single metal cable trays</b> D 16 / H 8 cm / Internal H 4 cm	  L 90 for L 140 desk L 130 for L 180 desk	AZ207S AZ227S	AZ205G AZ225G
<b>TV screen bracket</b> For TV screen 32 to 50 inches Vesa 600 x 400	 Maximum screen weight : 30 kg D 4 / H 41,5 / L 60	—	DH985G

