

PRESTIGE

Standing out through its pure, straight lines, the **Prestige** executive desk owes its imposing presence to its superb thick top 38 mm and its quality and neat finishes. **Prestige** is characterised by a contemporary design and the combination of its finishes.





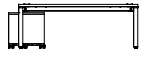
Straight desk
Black - White

PRESTIGE

Conference table
Black - Bleached Oak



EXECUTIVE DESKS



PRESTIGE

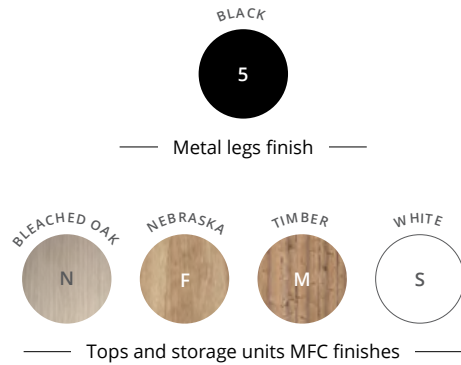
Desk on return open storage unit
Black - Bleached Oak



Desk on return storage unit with drawers
Black - White

EXECUTIVE DESKS

CHARACTERISTICS



PRESTIGE

WARRANTY
10
YEARS

Top

38 mm Nitech® honeycomb melamine-coated panels. 2 mm thick shock-proof ABS edging.



Electrification

2 Ø 80 mm cable ports with a square black cover.



Leg

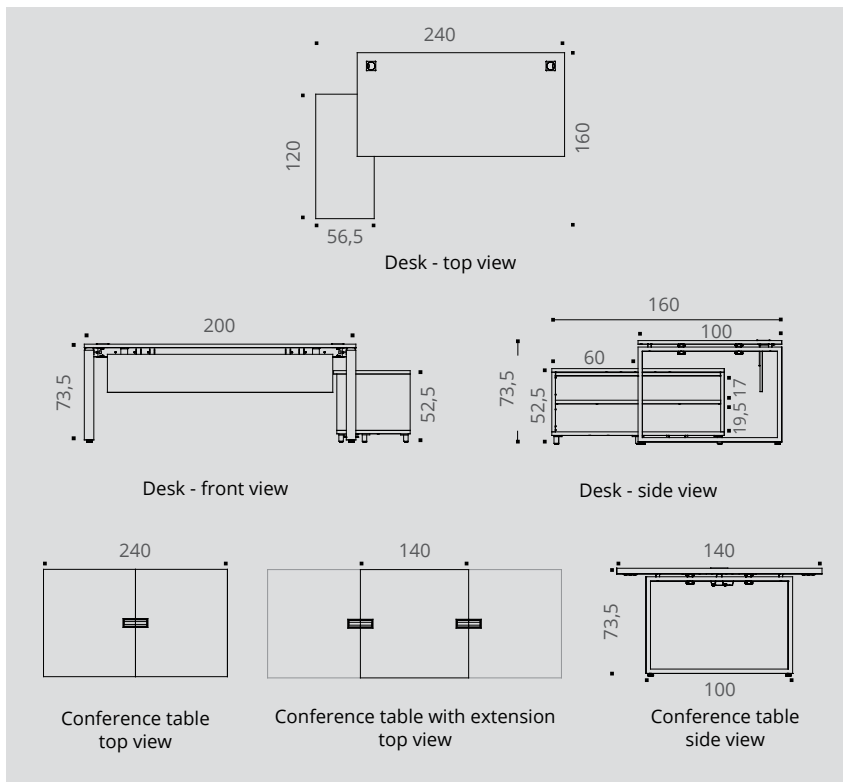
Metal arch ribbon leg of cross-section 70 x 30 mm, black epoxy finish.

Return storage unit (depending on version)

The desk and return storage unit are connected by a shortened ribbon leg so that the unit fits perfectly into the desk structure. The return storage unit can be positioned on the right or on the left.

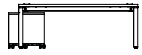


EXECUTIVE DESKS

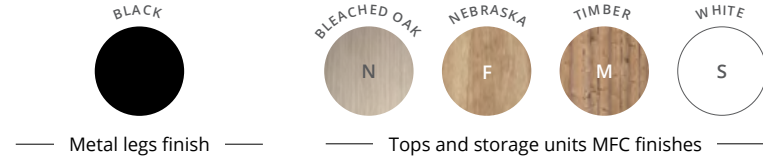


TECHNICAL DESCRIPTION

- 38 mm Nitech® honeycomb melamine-coated panels with 3 mm thick inner edging. 2 mm thick shock-proof ABS edging.
- Metal arch ribbon leg of cross-section 70 x 30 mm, black epoxy finish, based on a self-supporting beam system with desk tops raised by spacers.
- The desk is fitted with 2 Ø 80 mm cable ports with a square black cover.
- Adjustable screw feet of Ø 25 mm and 10 mm range to compensate for any unevenness in the floor.
- Return storage unit made of 16 / 25 mm Structorex® melamine-coated panels, composed of 2 compartments or 2 drawers with push-latch open system (depending on version). The return storage unit can be positioned on the right or on the left. Dim. L 120 / D 56,5 / H 52,5 cm.
- The desk and return storage unit are connected by a 15 cm high shortened ribbon leg which rests perfectly on the return storage unit.
- The conference tables are equipped with double Top Access hatches in central position, in the same finish as the legs.



PRESTIGE



Executive DESKS



D 100 CM

		Dim. (cm)	Ref.	Finish
Straight desk D 100 / H 73,5 cm		L 200	BG685	+ <input type="checkbox"/>
Desk on return open storage unit		Overall dimensions D 160 / H 73,5 / L 240 Storage unit D 56,5 / H 52,5 / L 120 Can be positioned on the right or on the left	BY845	+ <input type="checkbox"/>
Desk on return storage unit with drawers Opening the drawers with "push-latch" system		Overall dimensions D 160 / H 73,5 / L 240 Storage unit D 56,5 / H 52,5 / L 120 Can be positioned on the right or on the left	BY885	+ <input type="checkbox"/>

► Option

		Dim. (cm)	Ref.	Finish
Structurex® suspended modesty panel L 166 cm		For L 200 H 28 cm H 33 cm desk-mounted	DA175	+ <input type="checkbox"/>



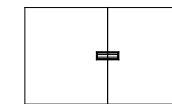


PRESTIGE


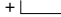
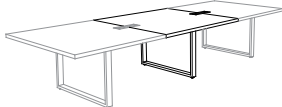



Conference TABLES

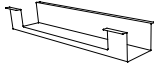
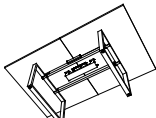
The conference tables are composed of multiple tops which will not have continuity of grain when placed next to each other.



D 140 CM

	Dim. (cm)	Ref.	Finish
Conference tables Double opening Top Access hatch included 	D 140 / H 73,5 / L 240 (seats 8/10)	DZ055	+ 
Central extension for conference tables Double opening Top Access hatch included 	D 140 / H 73,5 / L 140 (seats 4)	DZ065	+ 

► Option

	Description	Ref.	Finish
Universal single metal cable tray D 12 / H 9 / L 60 Internal H 8 cm  	To be fixed directly under the tops with wood screws	DP045G	Black