

I ESSENTIEL

Height settable

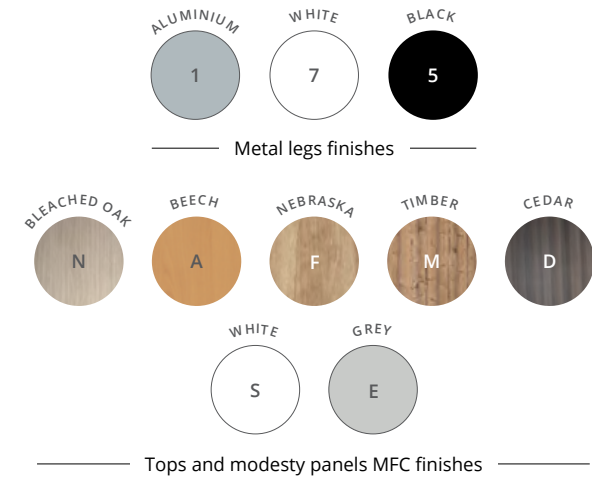
Essentiel features a height-settable version, with central "I" metal leg, offering users a simple, robust and ergonomic solution. Height-settable from 67,5 to 81,5 cm, stable and easy to adjust, **Essentiel** is the ideal choice to equip your offices at a reasonable price, while integrating perfectly in your work spaces and providing a practical and comfortable solution for your employees.



Height-settable tops from H 67,5 to H 81,5 cm

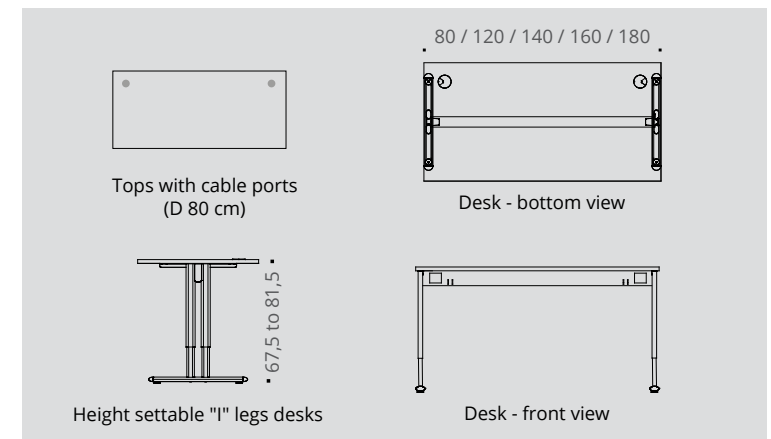


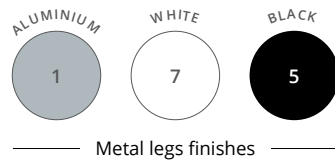
CHARACTERISTICS



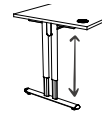
TECHNICAL DESCRIPTION

- 25 mm thick Structurex® melamine-coated tops. 2 mm thick shock-proof ABS edging.
- Tops equipped with Ø 80 mm cable ports, finishes matching the legs. Height-settable tops from 67,5 to 81,5 cm.
- Central "I" metal legs, height settable (mechanical adjustment in steps of 20 mm), composed of 2 columns and a base, made of lacquered epoxy finish steel.
- Beam structures made of lacquered epoxy finish steel.
- Adjustable screw feet of Ø 40 mm and 10 mm range to compensate for any unevenness in the floor.





Height settable "I" legs DESKS



	Dim. (cm)	Ref.	Leg finish	Top finish	
Straight desks D 80 / H 67,5 to 81,5 cm		L 80	AU19	+ <input type="checkbox"/>	+ <input type="checkbox"/>
	L 120	AU20	+ <input type="checkbox"/>	+ <input type="checkbox"/>	
	L 140	AU21	+ <input type="checkbox"/>	+ <input type="checkbox"/>	
	L 160	AU22	+ <input type="checkbox"/>	+ <input type="checkbox"/>	
	L 180	AU23	+ <input type="checkbox"/>	+ <input type="checkbox"/>	
90° corner D 80 / H 67,5 to 81,5 cm Support settable leg included	90° corner	AD24	+ <input type="checkbox"/>	+ <input type="checkbox"/>	
90° compact desks D 80 to 110 / H 67,5 to 81,5 cm D 60 cm return Support settable leg included	L 160 right hand return	DN35	+ <input type="checkbox"/>	+ <input type="checkbox"/>	
	L 160 left hand return	DN36	+ <input type="checkbox"/>	+ <input type="checkbox"/>	
	L 180 right hand return	DN37	+ <input type="checkbox"/>	+ <input type="checkbox"/>	
	L 180 left hand return	DN38	+ <input type="checkbox"/>	+ <input type="checkbox"/>	
Extension / Return with high adjustable leg H 67,5 to 81,5 cm Support settable leg included	D 60 / L 80	BH55	+ <input type="checkbox"/>	+ <input type="checkbox"/>	



ERGONOMIC DESKS

► Options

Dim. (cm)	● ALUMINIUM BRACKETS		○ WHITE BRACKETS		● BLACK BRACKETS		
	Ref.	Finish	Ref.	Finish	Ref.	Finish	
Structurex® suspended modesty panels H 30 cm H 35 cm desk mounted	For L 120 desk	AR001	+ <input type="checkbox"/>	AR007	+ <input type="checkbox"/>	AR005	+ <input type="checkbox"/>
	For L 140 desk	AR011	+ <input type="checkbox"/>	AR017	+ <input type="checkbox"/>	AR015	+ <input type="checkbox"/>
	For L 160 desk	AR021	+ <input type="checkbox"/>	AR027	+ <input type="checkbox"/>	AR025	+ <input type="checkbox"/>
	For L 180 desk	AR031	+ <input type="checkbox"/>	AR037	+ <input type="checkbox"/>	AR035	+ <input type="checkbox"/>



How to order ? 90° compact desk L 160 cm right hand return, Aluminium metal leg, White top MFC finish = DN35 + 1 S