

ESSENTIEL

The Essentiel range is the natural solution for dynamic companies looking for inexpensive and versatile furniture.

Available with two different structures, either beam or structural modesty panel, **Essentiel** furniture comes in a wide choice of worktops providing the right solution for an extensive range of layout projects.





90° compact desks with modesty panel
Black - Nebraska

Straight desk with modesty panel
White - White



SINGLE DESKS

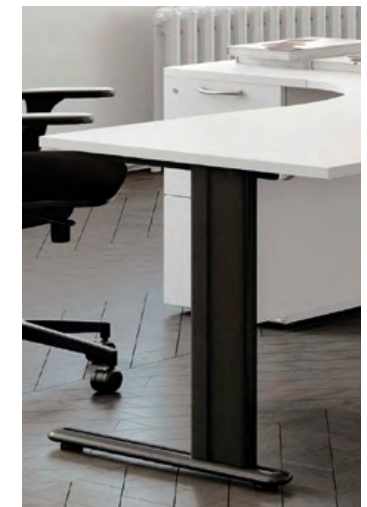


90° compact desk with modesty panel
White - Nebraska

90° compact desk with beam system
White - White

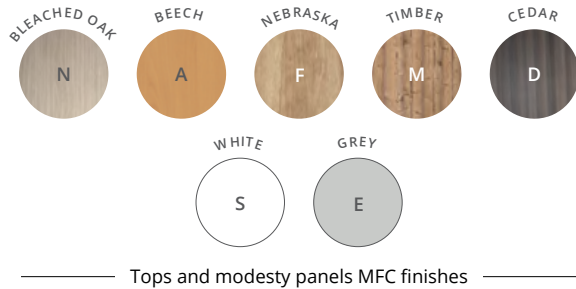
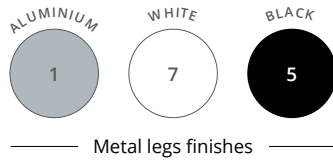


Standard leg
Black



Leg with optional metal cover
Black

CHARACTERISTICS



ESSENTIEL



Desk with beam system



Standard leg

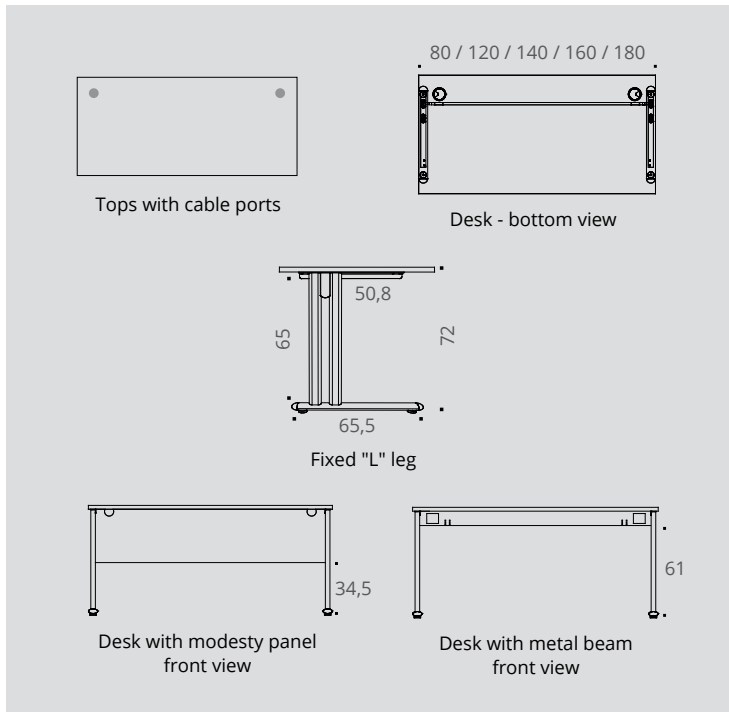


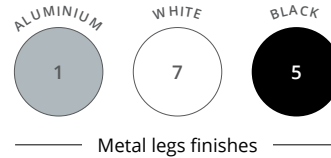
Leg with optional metal cover

Desk with modesty panel

TECHNICAL DESCRIPTION

- 25 mm thick Structurex® melamine-coated tops. 2 mm thick shock-proof ABS edging.
- Tops fitted with Ø 80 mm cable ports, finishes matching the legs.
- Metal leg composed of 2 columns and a base, made of lacquered epoxy finish steel. Optional legs covers.
- Adjustable screw feet of Ø 40 mm and 10 mm range to compensate for any unevenness in the floor.
- Available in 2 versions with 16 mm thick Structurex® modesty panel with 2 cutouts at the top to feed cables or with metal beam to feed cables and install power outlet strips.
- Unclip the removable metal leg cover to access the vertical cable channel.





DESKS with modesty panel



STRUCTUREX® MODESTY PANEL

| | | Dim. (cm) | Ref. | Leg finish | Top and modesty panel finish |
|---|--|-------------------------|------|----------------------------|------------------------------|
| Straight desks D 80 / H 72 cm | | L 80 | AR95 | + <input type="checkbox"/> | + <input type="checkbox"/> |
| | | L 120 | AR96 | + <input type="checkbox"/> | + <input type="checkbox"/> |
| | | L 140 | AR97 | + <input type="checkbox"/> | + <input type="checkbox"/> |
| | | L 160 | AR98 | + <input type="checkbox"/> | + <input type="checkbox"/> |
| | | L 180 | AR99 | + <input type="checkbox"/> | + <input type="checkbox"/> |
| 90° corner Support leg included | | D 80 / H 72 / L 80 | AQ79 | + <input type="checkbox"/> | + <input type="checkbox"/> |
| 90° compact desks D 80 to 110 / H 72 cm D 60 cm return | | L 160 right hand return | AS02 | + <input type="checkbox"/> | + <input type="checkbox"/> |
| | | L 160 left hand return | AS03 | + <input type="checkbox"/> | + <input type="checkbox"/> |
| | | L 180 right hand return | AS04 | + <input type="checkbox"/> | + <input type="checkbox"/> |
| | | L 180 left hand return | AS05 | + <input type="checkbox"/> | + <input type="checkbox"/> |

A cylindrical support leg is required if the compact desk is used alone, without a supporting extension pedestal D 60 cm

Options

| | Description | <input checked="" type="radio"/> ALUMINIUM | <input type="radio"/> WHITE | <input checked="" type="radio"/> BLACK |
|--------------------------------|---|--|-----------------------------|--|
| | | Ref. | Ref. | Ref. |
| Cylindrical support leg | For compact desk H 72 cm | AQ001K | AQ007S | AQ005G |
| Metal legs covers | H 65 / L 16 cm Set of 2 | BH671K | BH677S | BH675G |
| Single metal cable tray | D 13 / H 12 cm / Internal H 4 cm L 60 cm | AF051K | — | — |

Cable port covers are included, colour matches the legs





Metal legs and beams finishes



Tops and modesty panels MFC finishes



ESSENTIEL



DESKS with beam system



D 80 CM

BEAM SYSTEM

| | | Dim. (cm) | Ref. | Leg and beam finish | Top finish |
|---|--|-------------------------|------|----------------------------|----------------------------|
| Straight desks D 80 / H 72 cm | | L 80 | AT07 | + <input type="checkbox"/> | + <input type="checkbox"/> |
| | | L 120 | AT08 | + <input type="checkbox"/> | + <input type="checkbox"/> |
| | | L 140 | AT09 | + <input type="checkbox"/> | + <input type="checkbox"/> |
| | | L 160 | AT10 | + <input type="checkbox"/> | + <input type="checkbox"/> |
| | | L 180 | AT11 | + <input type="checkbox"/> | + <input type="checkbox"/> |
| | | | | | |
| 90° corner Support leg included | | D 80 / H 72 / L 80 | AQ79 | + <input type="checkbox"/> | + <input type="checkbox"/> |
| 90° compact desks D 80 to 110 / H 72 cm D 60 cm return | | L 160 right hand return | AT14 | + <input type="checkbox"/> | + <input type="checkbox"/> |
| | | L 160 left hand return | AT15 | + <input type="checkbox"/> | + <input type="checkbox"/> |
| | | L 180 right hand return | AT16 | + <input type="checkbox"/> | + <input type="checkbox"/> |
| | | L 180 left hand return | AT17 | + <input type="checkbox"/> | + <input type="checkbox"/> |
| | | | | | |

A cylindrical support leg is required if the compact desk is used alone, without a supporting extension pedestal D 60 cm

Options

| | Dim. (cm) | ALUMINIUM BRACKETS | | WHITE BRACKETS | | BLACK BRACKETS | | |
|--|-----------|----------------------|--------|----------------------------|--------|----------------------------|--------|----------------------------|
| | | Ref. | Finish | Ref. | Finish | Ref. | Finish | |
| Structurex® suspended modesty panels H 30 cm H 35 cm desk mounted | | For L 120 desk | AR001 | + <input type="checkbox"/> | AR007 | + <input type="checkbox"/> | AR005 | + <input type="checkbox"/> |
| | | For L 140 desk | AR011 | + <input type="checkbox"/> | AR017 | + <input type="checkbox"/> | AR015 | + <input type="checkbox"/> |
| | | For L 160 desk | AR021 | + <input type="checkbox"/> | AR027 | + <input type="checkbox"/> | AR025 | + <input type="checkbox"/> |
| | | For L 180 desk | AR031 | + <input type="checkbox"/> | AR037 | + <input type="checkbox"/> | AR035 | + <input type="checkbox"/> |
| | | | | | | | | |
| | Dim. (cm) | ALUMINIUM | | WHITE | | BLACK | | |
| Technical metal cable trays D 16 / H 8 cm Internal H 4 cm | | L 90 for L 120 desk | AZ201K | | AZ207S | | AZ205G | |
| | | L 110 for L 140 desk | AZ211K | | AZ217S | | AZ215G | |
| | | L 130 for L 160 desk | AZ221K | | AZ227S | | AZ225G | |
| | | L 150 for L 180 desk | AZ231K | | AZ237S | | AZ235G | |
| | | | | | | | | |



How to order ? Straight desk D 80 / L 120 cm, beam system, Black metal leg, White top MFC finish = AT08 + 5 S