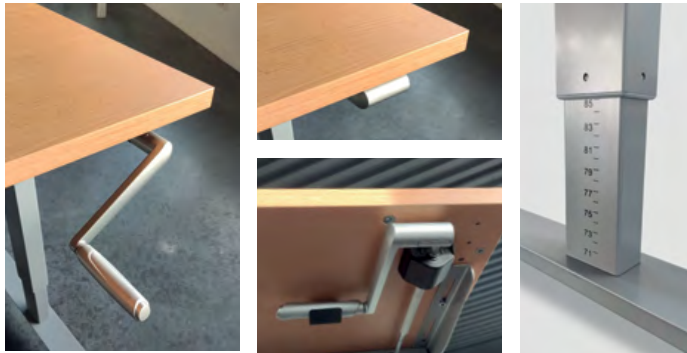


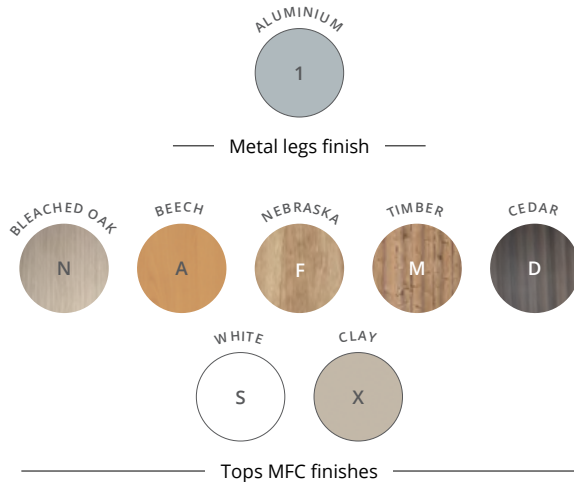
ENVOL Classic

The **Envol Classic** desk solutions with mechanical adjustment (crank) allow you to adapt your workstations to your requirements and individuals as you please, with no need for a power outlet. Robust, ergonomic and mobile, the **Envol Classic** single and multi-workstations are ideal for every work environment.



ERGONOMIC DESKS

CHARACTERISTICS



ENVOL Classic



Castors
Optional lockable castors.

Single desk leg

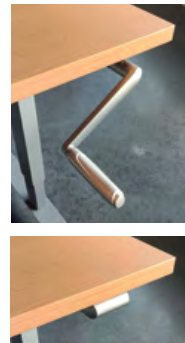
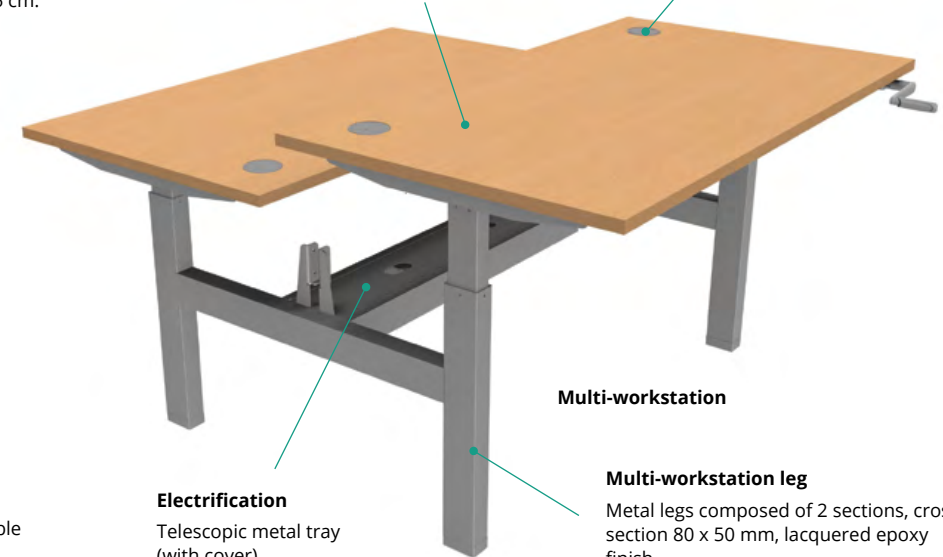
Metal legs composed of 2 sections, cross-section 80 x 50 mm, lacquered epoxy finish. Mechanically height-adjustable desks from H 71 to H 115 cm.

Top

25 mm thick Structorex® melamine-coated desk tops. 2 mm thick shock-proof ABS edging. Height adjustable from H 71 to H 115 cm.

Electrification

Top fitted with 2 Ø 80 mm cable ports, a single Top Access hatch or a 2 cm deep scallop, depending on version.



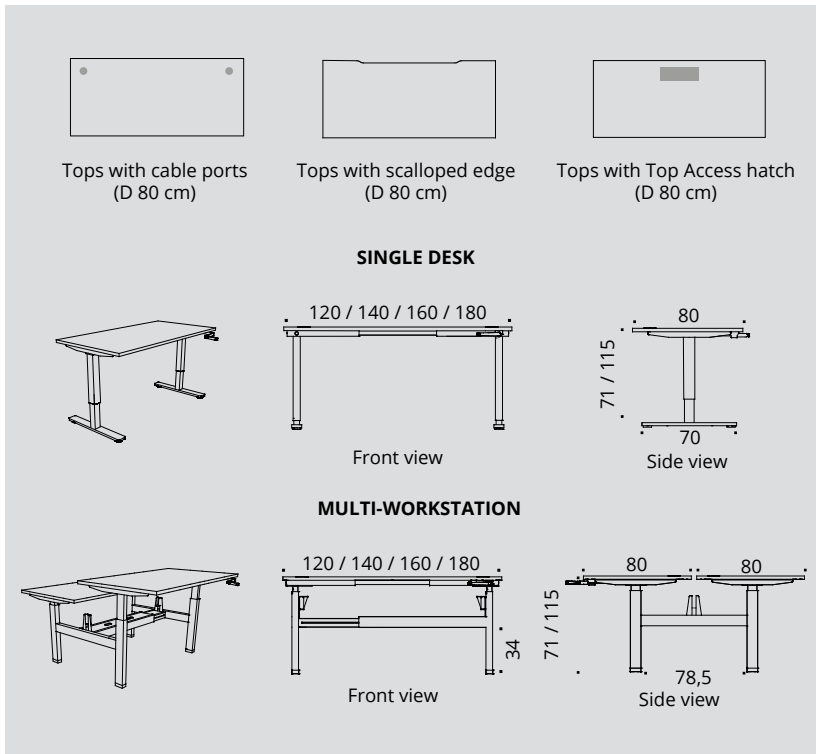
Electrification
Telescopic metal tray (with cover).

Multi-workstation leg

Metal legs composed of 2 sections, cross-section 80 x 50 mm, lacquered epoxy finish.

TECHNICAL DESCRIPTION

- 25 mm thick Structorex® melamine-coated desk tops, protected by 2 mm thick shock-proof ABS edging.
- Tops available in 3 versions : with 2 Ø 80 mm cable ports (aluminium finish as standard), a single Top Access hatch (internal dimensions L 30,9 / D 11,6 cm, aluminium finish) or a 2 cm deep scallop to feed cables, depending on version. Optional cable tray.
- Telescopic metal structures (single or multi-workstation versions) made of square 50 x 80 mm steel tubing, with mechanically height-adjustable legs (by crank) composed of 2 sections. Height-adjustable tops from 71 to 115 cm.
- For multi-workstation desks, telescopic metal tray (with cover) included in central position.
- Mechanical height adjustment system, with adjustment by retractable crank under the top.
- Maximum load 80 kg per top.
- Adjustable feet to compensate for unevenness in the floor.
- Set of 4 lockable castors as an optional extra.
- Screen panels H 70 cm available as an optional extra.



ENVOL Classic



— Metal legs finish —



— Tops MFC finishes —

SINGLE DESKS with mechanical adjustment by crank



D 80 CM

CABLE PORTS



D 80 CM

SCALLOPED EDGE



D 80 CM

TOP ACCESS HATCH

	Dim. (cm)	Ref.	Finish	Ref.	Finish	Ref.	Finish
Straight desks D 80 / H 71 to 115 cm Adjustment by crank	L 120	DK491	+	DX671	+	DK531	+
	L 140	DK501	+	DX681	+	DK541	+
	L 160	DK511	+	DX691	+	DK551	+
	L 180	DK521	+	DX701	+	DK561	+

Options

	Dim. (cm)	Ref.	Finish
Universal single metal cable tray To be fixed directly under the tops with wood screws	D 12 / H 9 / L 60 Internal H 8 cm	DP041K	ALUMINIUM
Set of 4 castors For single desk	Bag of 4 soft lockable castors (Ø 60 mm) Max load capacity 120 kg	DK654G	Black



Description	GREY	RED	BLUE	ACID GREEN
	Ref.	Ref.	Ref.	Ref.
Fabric acoustic screen panels H 70 cm Brackets included	For L 120 desk DQ021E	For L 140 desk DQ031E	For L 160 desk DQ041E	For L 180 desk DQ051E
	DQ021V	DQ031V	DQ041V	DQ051V
	DQ021T	DQ031T	DQ041T	DQ051T
	DQ021I	DQ031I	DQ041I	DQ051I





— Metal legs finish —

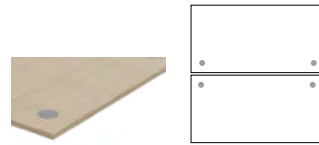


— Tops MFC finishes —

ENVOL Classic

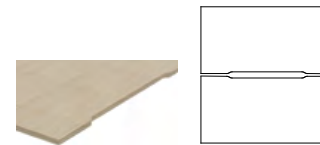


MULTI-WORKSTATIONS with mechanical adjustment by crank



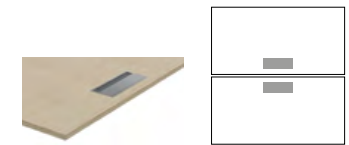
D 163 CM

CABLE PORTS



D 163 CM

SCALLOPED EDGE



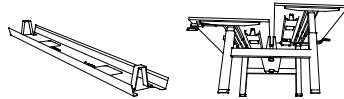
D 163 CM

TOP ACCESS HATCH

	Dim. (cm)	Ref.	Finish	Ref.	Finish	Ref.	Finish
2 back to back straight desks D 80 cm D 163 / H 71 to 115 cm Adjustment by crank	L 120	DK571	+ <input type="checkbox"/>	DX711	+ <input type="checkbox"/>	DK611	+ <input type="checkbox"/>
	L 140	DK581	+ <input type="checkbox"/>	DX721	+ <input type="checkbox"/>	DK621	+ <input type="checkbox"/>
	L 160	DK591	+ <input type="checkbox"/>	DX731	+ <input type="checkbox"/>	DK631	+ <input type="checkbox"/>
	L 180	DK601	+ <input type="checkbox"/>	DX741	+ <input type="checkbox"/>	DK641	+ <input type="checkbox"/>

► Options

Technical metal cable trays
D 16 / H 8 cm
Internal H 4 cm

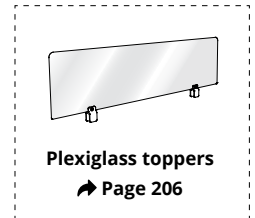


Dim. (cm)
L 90 for L 120 desk
L 110 for L 140 desk
L 130 for L 160 desk
L 150 for L 180 desk

● ALUMINIUM

Ref.

AZ201K
AZ211K
AZ221K
AZ231K



Plexiglass toppers
➔ Page 206

● GREY

● RED

● BLUE

● ACID GREEN

Description

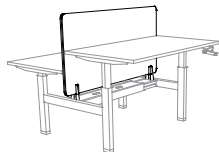
Ref.

Ref.

Ref.

Ref.

Fabric acoustic screen panels
H 70 cm
Brackets included in the leg



For L 120 desk
For L 140 desk
For L 160 desk
For L 180 desk

DQ063E
DQ073E
DQ083E
DQ093E

DQ063V
DQ073V
DQ083V
DQ093V

DQ063T
DQ073T
DQ083T
DQ093T

DQ063I
DQ073I
DQ083I
DQ093I

