



COHESION

The Cohesion tables feature pure, modern lines.

The wide and spacious worktops are designed to encourage dialogue and communication. This range meets the requirements of new working environments such as coworking, to encourage discussion and creativity, by allowing several people to work together on the same worktop.





Coworking tables without cable management
Black - Nebraska

Coworking tables without cable management
White - Nebraska



Coworking table with built-in electrical socket strip
Black - Timber



Coworking table with built-in electrical socket strip
White - Bleached Oak

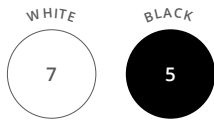
Built-in electrical socket strip
3 power outlets + 1 USB A 5v + 1 USB C 5v + 1 cable port



Coworking table with built-in electrical socket strip
Black - White



CHARACTERISTICS



Metal legs finishes



Tops MFC finishes



Download the data sheet

Electrification (depending on version)

Built-in electrical socket strip equipped with 3 power outlets + 1 USB A charging socket 5v + 1 USB C charging socket 5v + 1 cable port.

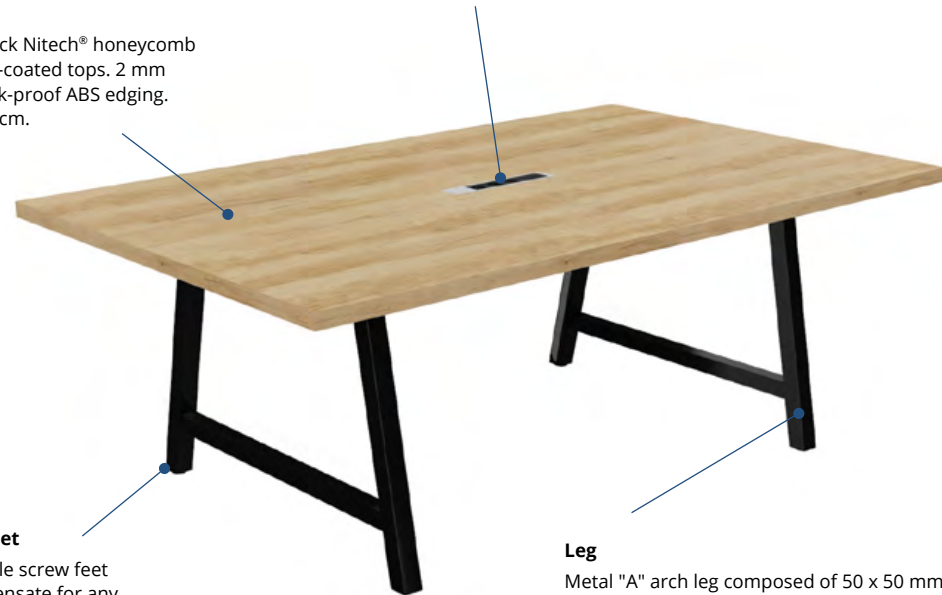


COHESION



Top

38 mm thick Nitech® honeycomb melamine-coated tops. 2 mm thick shock-proof ABS edging. Height 74 cm.



Screw feet

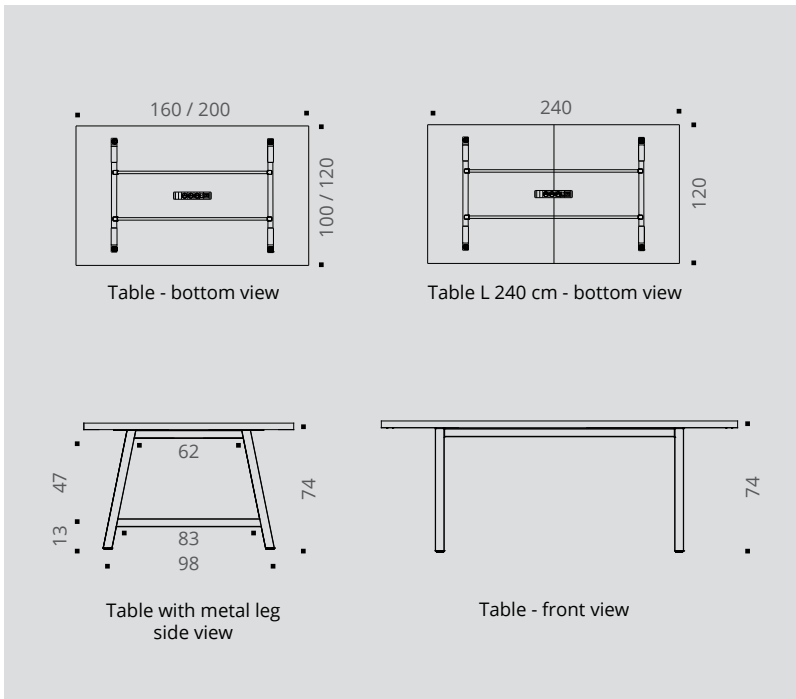
Adjustable screw feet to compensate for any unevenness in the floor.

Leg

Metal "A" arch leg composed of 50 x 50 mm square cross-section legs, with a transverse bar at the bottom, lacquered epoxy finish.

TECHNICAL DESCRIPTION

- Dimensions : L 200 / D 100 cm, L 160, L 200, L 240 / D 120 cm . H 74 cm.
- 38 mm thick Nitech® honeycomb melamine-coated tops with 3 mm thick inner edging. Table L 240 cm composed of 2 half tops L 120 x D 120 cm
- 2 mm thick shock-proof ABS edging.
- Metal "A" arch leg composed of 50 x 50 mm square cross-section legs, with a transverse bar at the bottom.
- Beam structure made of lacquered epoxy finish steel.
- Adjustable screw feet to compensate for any unevenness in the floor (10 mm range).
- Tables available in 2 versions : with or without cable management, including built-in electrical socket strip, equipped with 3 power outlets + 1 USB A 5v + 1 USB C 5v + 1 cable port. 2 m power supply cable included. Power modules options (page 201).
- 1 plastic universal cable duct included (for versions with cable management).
- Universal cable tray (page 196) compatible with Cohesion tables to route cables.





COHESION



TABLES without cable management



	Dim. (cm)	Description	Ref.	Leg finish	Top finish
Cohesion tables Without cable management H 74 cm	D 100 / L 200	seats 8/10	DH00	+ <input type="checkbox"/>	+ <input type="checkbox"/>
	D 120 / L 160	seats 6/8	DF98	+ <input type="checkbox"/>	+ <input type="checkbox"/>
	D 120 / L 200	seats 8/10	BX99	+ <input type="checkbox"/>	+ <input type="checkbox"/>
	D 120 / L 240	seats 10/12	DX17	+ <input type="checkbox"/>	+ <input type="checkbox"/>

► Option

● ALUMINIUM

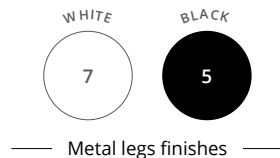
Ref.

Set of 2 connecting plates
To join 2 juxtaposed tables



DN789Z





COHESION



TABLES with cable management



	Dim. (cm)	Description	Ref.	Leg finish	Top finish
Cohesion tables With cable management Built-in electrical socket strip equipped with 3 power outlets + 1 USB A charging socket 5v + 1 USB C charging socket 5v + 1 cable port. H 74 cm	D 100 / L 200	seats 8/10	DQ68	+ []	+ []
	D 120 / L 160	seats 6/8	DQ69	+ []	+ []
	D 120 / L 200	seats 8/10	DQ70	+ []	+ []
	D 120 / L 240	seats 10/12	DX35	+ []	+ []

► **Options**

Vertical cable channel
Magnetic



Dim. (cm)

○ WHITE	● BLACK
Ref.	Ref.

BY017S

BY015G

● ALUMINIUM

Dim. (cm)

Ref.

Universal cable duct

4 rings. To be fixed under the top. Screws not supplied



D 6,5 / H 4,5 / L 9,5

DQ101K

Set of 2 connecting plates

To join 2 juxtaposed tables



DN789Z

