

CLASSIF

Metal storage

The highly-robust **Classif** one-piece cabinets offer generous storage space and are fitted with tambour doors for easy access. They allow to define or delimit collective or coworking spaces. Certified and matching all our furniture ranges, the **Classif** cabinets will fit perfectly in your office space layouts.



CHARACTERISTICS

One-tone cabinets



— One-tone cabinets - tambour doors plain finishes —

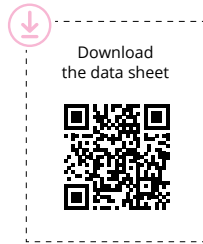
Two-tone cabinets



— Cabinets bodies finishes —



— Tambour doors MFC finishes —



Download the data sheet



Structure

Highly robust welded one-piece body.

Tambour

Wear-resistant polypropylene rails for the PVC tambour doors to slide silently.



Terminal strip

Steel terminal strip with anti-intrusion groove.



Easy opening

Gripping handles for lateral opening.



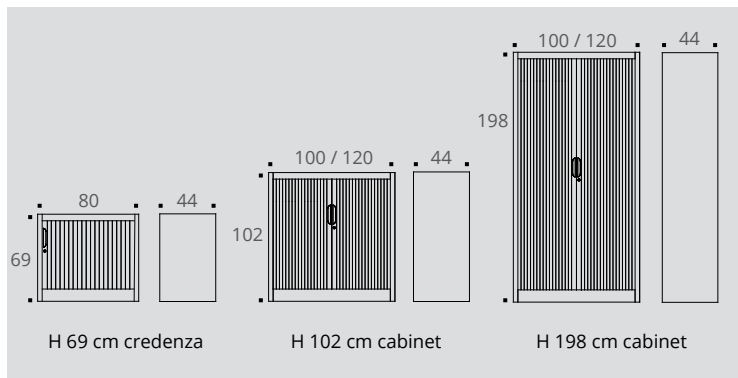
Screw feet

Adjustable screw feet from inside the cabinet.



TECHNICAL DESCRIPTION

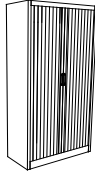

- 3 heights : H 198 / H 102 / H 69 cm. 3 widths : L 80 / L 100 / L 120 cm. 1 depth : D 44 cm.
- Highly robust welded one-piece body.
- Structure made of lacquered epoxy steel finish. 1 mm thick top and strip, 0.8 mm thick body and shelves.
- Double strip tambour door made of PVC, fire classification M1, with gripping handles.
- Wear-resistant polypropylene rails for the PVC tambour doors to slide silently.
- Steel terminal strip with anti-intrusion groove.
- Shelves for lateral filing, in the same finishes as the cabinets, with built-in support pegs, adjustable in steps of 5 cm.
- 5 shelf levels in 198 cm high cabinet. 3 shelf levels in 102 cm high cabinet. 2 shelf levels in 69 cm high credenza.
- Adjustable screw feet from inside the cabinet (20 mm range).
- Metal lock with 2 keys, including 1 folding.
- Smooth, clean back for use in open space.
- Optional finishing tops made of 25 mm thick Structurex® panels.




CLASSIF Metal storage



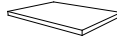
CABINETS with one-tone tambour doors

	Description	Dim. (cm)	Ref.	Finish
H 198 cm cabinets D 44 cm 	4 metal Lateral filing shelves 5 Lateral filing hooking levels	L 100	BK353	+ <input type="checkbox"/>
		L 120	BN023	+ <input type="checkbox"/>
H 102 cm cabinets D 44 cm 	2 metal Lateral filing shelves 3 Lateral filing hooking levels	L 100	BK333	+ <input type="checkbox"/>
		L 120	BN013	+ <input type="checkbox"/>

CREDENZA with one-tone tambour doors

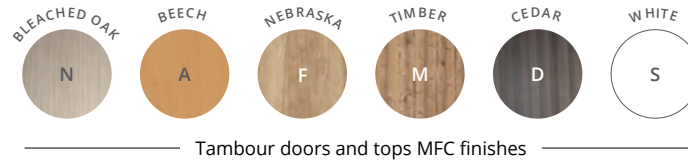
	Description	Dim. (cm)	Ref.	Finish
H 69 cm credenza D 44 cm 	1 horizontal opening tambour door 1 metal Lateral filing shelf	L 80	BM513	+ <input type="checkbox"/>

► Options

	Dim. (cm)	Ref.	Finish
Structorex® tops thickness 25 mm 	L 80 / D 44	BM523	+ <input type="checkbox"/>
	L 100 / D 44	BM493	+ <input type="checkbox"/>
	L 120 / D 44	BM503	+ <input type="checkbox"/>



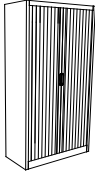

How to order ? H 69 / L 80 cm credenza, **White** finish and L 80 cm top **Cedar** MFC finish = BM513 + **S** and BM523 + **D**




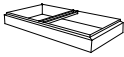
CLASSIF Metal storage



CABINETS with two-tone tambour doors

	Description	Dim. (cm)	Ref.	Body finish	Tambour finish
H 198 cm cabinets D 44 cm 	4 metal Lateral filing shelves 5 Lateral filing hooking levels	L 100	BK35	+ <input type="checkbox"/>	+ <input type="checkbox"/>
		L 120	BN02	+ <input type="checkbox"/>	+ <input type="checkbox"/>
H 102 cm cabinets D 44 cm 	2 metal Lateral filing shelves 3 Lateral filing hooking levels	L 100	BK33	+ <input type="checkbox"/>	+ <input type="checkbox"/>
		L 120	BN01	+ <input type="checkbox"/>	+ <input type="checkbox"/>

► Options

	Dim. (cm)	Ref.	Finish
Structurex® tops thickness 25 mm 	L 100 / D 44	BM493	+ <input type="checkbox"/>
	L 120 / D 44	BM503	+ <input type="checkbox"/>
Roll out filing frame 	L 100	BM574G	Black
	L 120	BM584G	Black



How to order ? H 198 / L 120 cm cabinet, **Aluminium** metal structure finish, **Nebraska** tambour MFC finish = BN02 + **1** | **F** |