

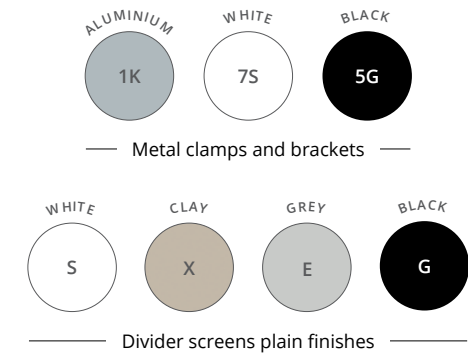
# BEWALL

## Melamine-coated divider screens

The **BeWall** melamine-coated panels are simple and essential desk complements providing greater personal comfort which can be used to privatise the work spaces. For teams working in shared spaces, the dividers structure the work spaces and offer privacy and protection.

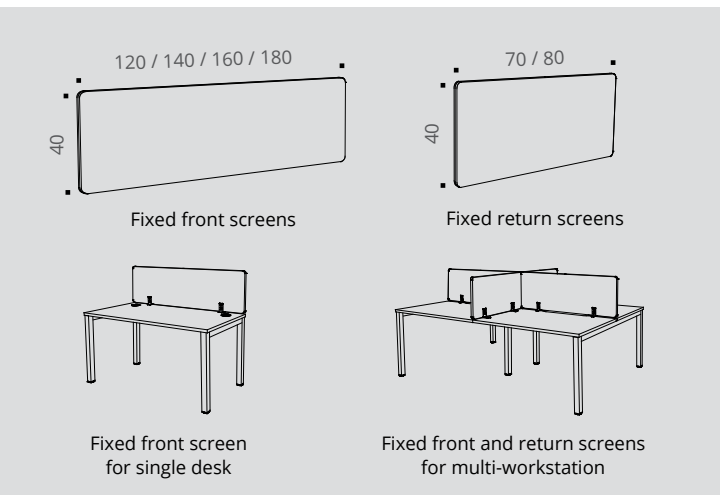


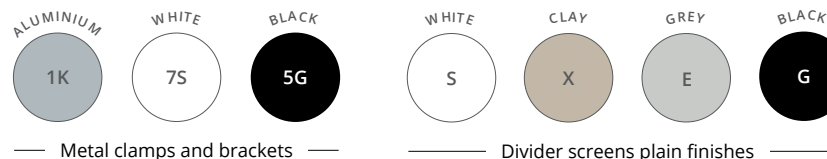
### CHARACTERISTICS



### TECHNICAL DESCRIPTION

- 25 mm thick Structurax® melamine-coated divider screens (front and return) with rounded corners, 2 mm thick shock-proof ABS edging, to be fixed by clamps on worktops (25 mm thick) or free-standing.
- 4 sizes of fabric front screens : L 120 / L 140 / L 160 / L 180. Each is 40 cm high and clamped on worktops.
- 2 dimensions of return screens : D 70 / D 80 cm. Each is 40 cm high.
- 3 choices of metal fixing clamps available in 3 different colours to match our desk frames. BeWall screens will fit on single desks and multi-workstations (fixed or sliding).



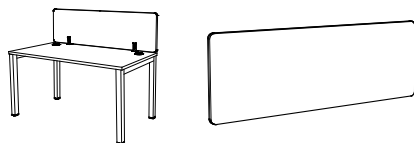


## Melamine-coated FRONT SCREENS



### Fixed screens

#### Fixed front screens\* H 40 cm



\* add the attachment metal clamps corresponding to your requirement

Description	Dim. (cm)	Ref.	Finish
For L 120 cm desk	D 2,5 / H 40 desk-mounted / L 120	DW703	+ <input type="checkbox"/>
For L 140 cm desk	D 2,5 / H 40 desk-mounted / L 140	DW713	+ <input type="checkbox"/>
For L 160 cm desk	D 2,5 / H 40 desk-mounted / L 160	DW723	+ <input type="checkbox"/>
For L 180 cm desk	D 2,5 / H 40 desk-mounted / L 180	DW733	+ <input type="checkbox"/>

### ► Options - Clamps

Description	<input type="radio"/> ALUMINIUM <input type="radio"/> WHITE <input type="radio"/> BLACK		
	Ref.	Ref.	Ref.
For single desks. Set of 2	DS361K	DS367S	DS365G
<b>Metal attachment clamps</b> for front screens	For fixed multi-workstations. Set of 2 DS371K	DS377S	DS375G
For sliding multi-workstations. Set of 2	DS381K	DS387S	DS385G

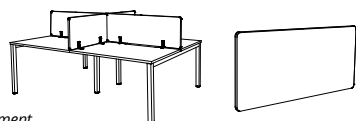
## Melamine-coated RETURN SCREENS



### Free-standing screens

#### Free-standing return screens\* H 40 cm

\* add the metal brackets corresponding to your requirement



Description	Dim. (cm)	Ref.	Finish
For D 70 cm desk	D 2,5 / H 40 desk-mounted / L 70	DW743	+ <input type="checkbox"/>
For D 80 cm desk	D 2,5 / H 40 desk-mounted / L 80	DW753	+ <input type="checkbox"/>
<b>Free-standing metal brackets</b> Set of 2	For free-standing return screen	DP97	+ <input type="checkbox"/>