

ASTROLITE

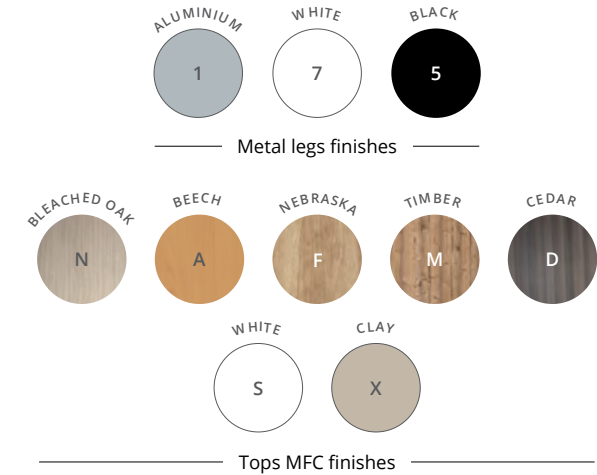
Height settable

The height-settable version of the Astrolite desks represents an ergonomic and affordable solution ensuring the comfort of your employees.

Modular and customisable from 66,5 to 88,5 cm, the **Astrolite** single desks offer the same quality as the other articles in the range while adapting perfectly to user requirements. Multi-purpose and modular, the **Astrolite** desks meet all your requirements while remaining within your budget.

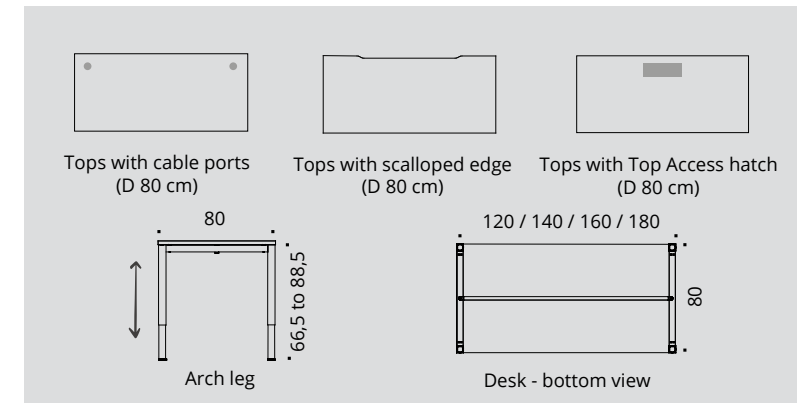


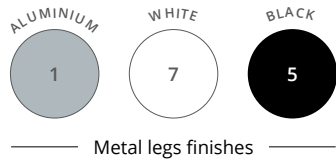
CHARACTERISTICS



TECHNICAL DESCRIPTION

- 25 mm thick Structurex® melamine-coated tops. 2 mm thick shock-proof ABS edging.
- Tops equipped with Ø 80 mm cable ports, a single Top Access hatch (internal dim. L 30,9 cm / D 11,6 cm) finishes matching the legs or a 2 cm deep scallop to feed cables depending on version. Height-settable tops from H 66,5 to 88,5 cm.
- Metal arch legs, square cross-section 50 x 50 mm, height settable by mechanical latching (steps of 20 mm) and screw locking, lacquered epoxy finish. Stiffening beam structure made of lacquered epoxy finish steel. Single desks only.
- Adjustable screw feet of diameter 40 mm and range 10 mm to compensate for any unevenness in the floor.

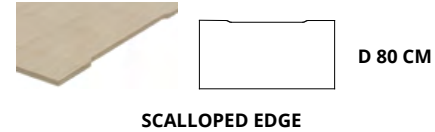
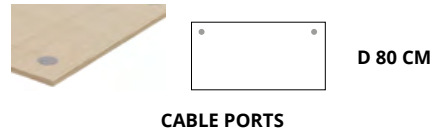
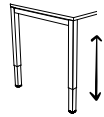




ASTROLITE



Height settable SINGLE DESKS



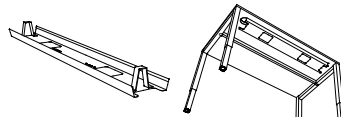
	Dim. (cm)	Ref.	Finishes	Ref.	Finishes	Ref.	Finishes
Straight desks H 66,5 to 88,5 cm	L 120	BM79	+ [] [] []	DX75	+ [] [] []	DL30	+ [] [] []
	L 140	BM80	+ [] [] []	DX76	+ [] [] []	DL31	+ [] [] []
	L 160	BM81	+ [] [] []	DX77	+ [] [] []	DL32	+ [] [] []
	L 180	BM82	+ [] [] []	DX78	+ [] [] []	DL33	+ [] [] []

	Dim. (cm)	Ref.	Leg finish	Top finish
Compact desks D 80 to 110 cm H 66,5 to 88,5 cm D 60 cm return	L 160 right hand return	BT67	+ [] [] []	+ [] [] []
	L 160 left hand return	BT68	+ [] [] []	+ [] [] []
	L 180 right hand return	BT69	+ [] [] []	+ [] [] []
	L 180 left hand return	BT70	+ [] [] []	+ [] [] []

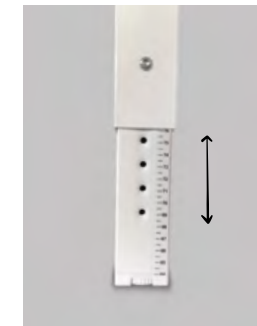
Extension / Return On support leg H 66,5 to 88,5 cm		D 60 / L 80	BU51	+ [] [] []	+ [] [] []
--	--	-------------	------	---------------	---------------

► Options

Technical metal cable trays
D 16 / H 8 cm
Internal H 4 cm



Dim. (cm)	ALUMINIUM	WHITE	BLACK
	Ref.	Ref.	Ref.
L 90 for L 120 desk	AZ201K	AZ207S	AZ205G
L 110 for L 140 desk	AZ211K	AZ217S	AZ215G
L 130 for L 160 desk	AZ221K	AZ227S	AZ225G
L 150 for L 180 desk	AZ231K	AZ237S	AZ235G



How to order ? Straight desk with Top Access hatch L 120 cm, White height settable metal leg, Cedar top MFC finish = DL30 + [7] [D]

ESSENTIEL

Height settable

Essentiel features a height-settable version, with central "I" metal leg, offering users a simple, robust and ergonomic solution. Height-settable from 67,5 to 81,5 cm, stable and easy to adjust, **Essentiel** is the ideal choice to equip your offices at a reasonable price, while integrating perfectly in your work spaces and providing a practical and comfortable solution for your employees.

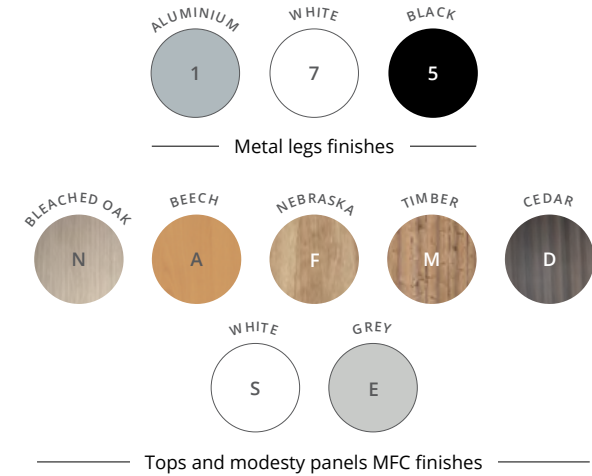


Height-settable tops from H 67,5 to H 81,5 cm



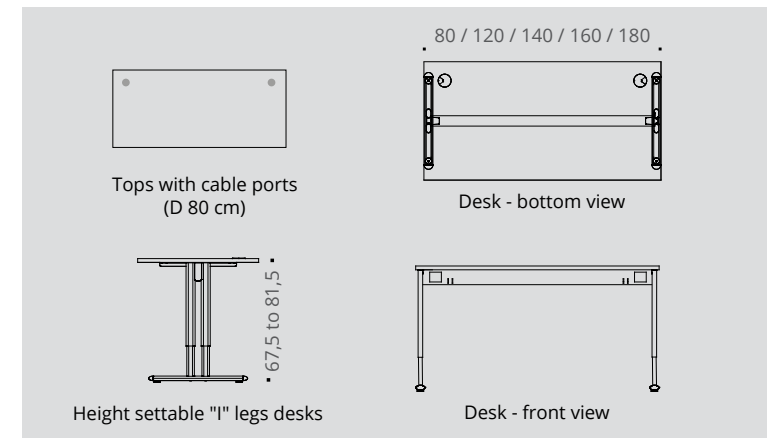
Download the data sheet

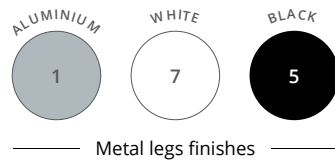
CHARACTERISTICS



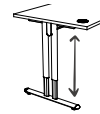
TECHNICAL DESCRIPTION




- 25 mm thick Structurex® melamine-coated tops. 2 mm thick shock-proof ABS edging.
- Tops equipped with Ø 80 mm cable ports, finishes matching the legs. Height-settable tops from 67,5 to 81,5 cm.
- Central "I" metal legs, height settable (mechanical adjustment in steps of 20 mm), composed of 2 columns and a base, made of lacquered epoxy finish steel.
- Beam structures made of lacquered epoxy finish steel.
- Adjustable screw feet of Ø 40 mm and 10 mm range to compensate for any unevenness in the floor.





Height settable "I" legs DESKS



	Dim. (cm)	Ref.	Leg finish	Top finish
Straight desks D 80 / H 67,5 to 81,5 cm	 L 80	AU19	+ <input type="checkbox"/>	+ <input type="checkbox"/>
	L 120	AU20	+ <input type="checkbox"/>	+ <input type="checkbox"/>
	L 140	AU21	+ <input type="checkbox"/>	+ <input type="checkbox"/>
	L 160	AU22	+ <input type="checkbox"/>	+ <input type="checkbox"/>
	L 180	AU23	+ <input type="checkbox"/>	+ <input type="checkbox"/>
90° corner D 80 / H 67,5 to 81,5 cm Support settable leg included	 90° corner	AD24	+ <input type="checkbox"/>	+ <input type="checkbox"/>
90° compact desks D 80 to 110 / H 67,5 to 81,5 cm D 60 cm return Support settable leg included	L 160 right hand return	DN35	+ <input type="checkbox"/>	+ <input type="checkbox"/>
	L 160 left hand return	DN36	+ <input type="checkbox"/>	+ <input type="checkbox"/>
	L 180 right hand return	DN37	+ <input type="checkbox"/>	+ <input type="checkbox"/>
	L 180 left hand return	DN38	+ <input type="checkbox"/>	+ <input type="checkbox"/>
Extension / Return with high adjustable leg H 67,5 to 81,5 cm Support settable leg included	 D 60 / L 80	BH55	+ <input type="checkbox"/>	+ <input type="checkbox"/>



► Options

Dim. (cm)	● ALUMINIUM BRACKETS		○ WHITE BRACKETS		● BLACK BRACKETS		
	Ref.	Finish	Ref.	Finish	Ref.	Finish	
Structurex® suspended modesty panels H 30 cm H 35 cm desk mounted	For L 120 desk	AR001	+ <input type="checkbox"/>	AR007	+ <input type="checkbox"/>	AR005	+ <input type="checkbox"/>
	For L 140 desk	AR011	+ <input type="checkbox"/>	AR017	+ <input type="checkbox"/>	AR015	+ <input type="checkbox"/>
	For L 160 desk	AR021	+ <input type="checkbox"/>	AR027	+ <input type="checkbox"/>	AR025	+ <input type="checkbox"/>
	For L 180 desk	AR031	+ <input type="checkbox"/>	AR037	+ <input type="checkbox"/>	AR035	+ <input type="checkbox"/>



How to order ? 90° compact desk L 160 cm right hand return, Aluminium metal leg, White top MFC finish = DN35 + 1 S