

I ALTO

Height adjustable

Ergonomical and height-adjustable solutions for your coworking spaces.

The **Alto** height-adjustable desks are practical and fit perfectly in with the planning solutions Alto. Available in single desks only. The height adjustable desks are equipped with metal legs composed of 3 sections, cross-section 70 x 70 mm, electrically height-adjustable from H 65 to H 130 cm. Silent, fast and robust, the height-adjustable **Alto** desks have the same structural advantages as Envoy Evo as well as as tops with rounded corners, part-drilled cable ports that allow the integration of power modules.

2 versions exist : manager tops and standard tops in 6 sizes. The **Alto** height-adjustable desks have ergonomical and durability qualities for the flex spaces.





Electrically height adjustable single desk
Black - Nebraska

Electrically height adjustable single desks
Black - White



ALTO

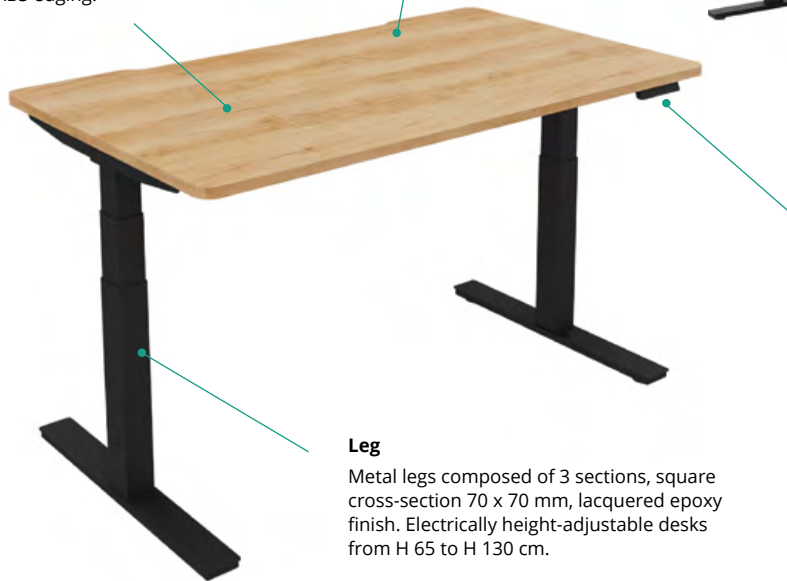
WARRANTY
5
YEARS

Top

25 mm thick Structurex® melamine-coated tops with 4 40 mm radius rounded corners. 2 mm thick shock-proof ABS edging.

Electrification

Straight tops equipped with a 2,5 cm deep scallop and 2 Ø 80 mm part drilled cable ports.



Leg

Metal legs composed of 3 sections, square cross-section 70 x 70 mm, lacquered epoxy finish. Electrically height-adjustable desks from H 65 to H 130 cm.



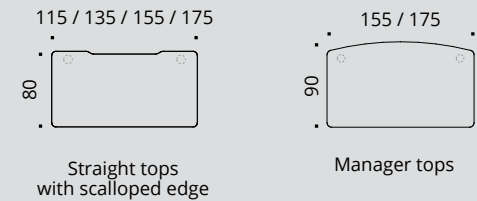
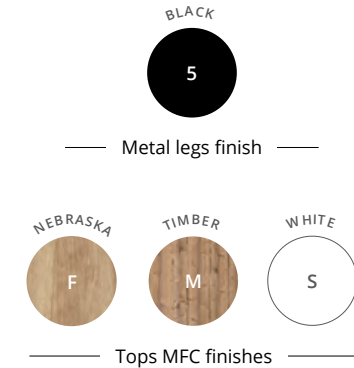
Height-adjustable tops from H 65 to H 130 cm

Control unit

Motorised height adjustment system, with up & down control unit and 4 programmable positions.

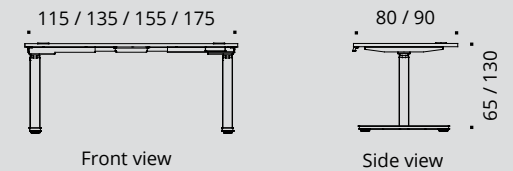


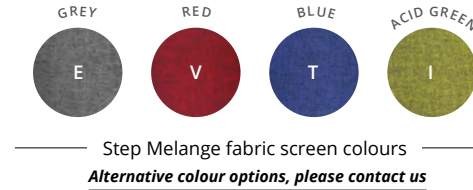
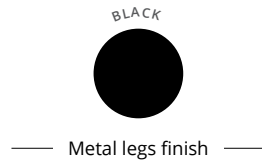
CHARACTERISTICS



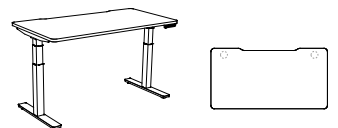




TECHNICAL DESCRIPTION

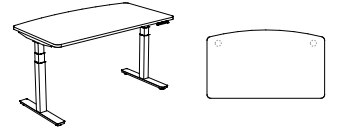


- 25 mm thick Structurex® melamine-coated tops with 4 40 mm radius rounded corners. 2 mm thick shock-proof ABS edging. Straight tops equipped with a 2,5 cm deep scallop. Straight and manager tops equipped with 2 Ø 80 mm part drilled cable ports. Black standard or electrified cable ports available on option.
- Telescopic metal structure made of square 70 x 70 mm steel tubing, composed of 3 sections, electrically height-adjustable from H 65 to H 130 cm, with lacquered epoxy finish. Optional cable tray.
- Adjustable screw feet to compensate for any unevenness in the floor.
- Motorised height adjustment system (drive unit built into each leg), with up & down control unit and 4 programmable positions.
- Displacement speed 40 mm/s. Thrust 800 N. Sound level 38 dB. Maximum load 120 kg / top.
- Top and bottom anti-collision safety device with obstacle detection gyroscopic sensor built into the drive unit.
- 100-240 V and 50-60 Hz power supply unit, 2 m power supply cable. Standby power consumption < 0.1 W.

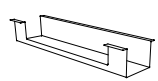









Electrically adjustable **SINGLE DESKS**

		Dim. (cm)	Ref.	Top finish
Straight desks D 80 / H 65 to 130 cm Memory unit for 4 positions		L 115	DU525	+ 
		L 135	DU535	+ 
		L 155	DU545	+ 
		L 175	DU555	+ 

NEW					
Manager desks D 90 / H 65 to 130 cm Memory unit for 4 positions <i>Tops come with 2 Ø 80 mm part drilled cable ports</i>		L 155	DY725	+ 	
		L 175	DY735	+ 	

► Options		Description	Ref.	Finish
Universal single metal cable tray D 12 / H 9 / L 60 cm Internal H 8 cm		To be fixed directly under the tops with wood screws	DP045G	Black
Fabric acoustic screen panels H 70 cm Brackets included				
		L 100 for L 115 cm desk	DU141	+ 
		L 120 for L 135 cm desk	DQ021	+ 
		L 140 for L 155 cm desk	DQ031	+ 
		L 160 for L 175 cm desk	DQ041	+ 

How to order ? Straight desk D 80 / L 115 cm, **Black** metal leg, **Nebraska** top MFC finish = DU525 + 