



ALTO

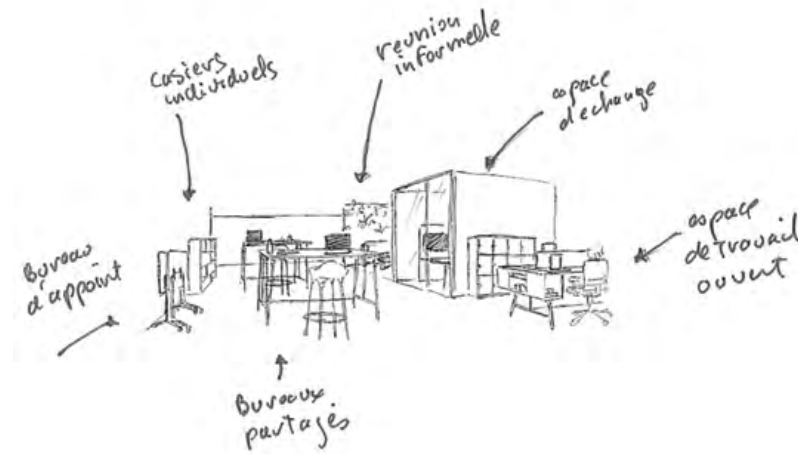
buronomic

Flexibility, modularity and cross-functionality are currently essential in shared workspaces. Designed and intended for collaborative working, **Alto by buronomic** is a contemporary, innovating and flexible furniture program, perfectly adapted for flex offices, corpworking and home offices - **Emanuele Bertolini Design**

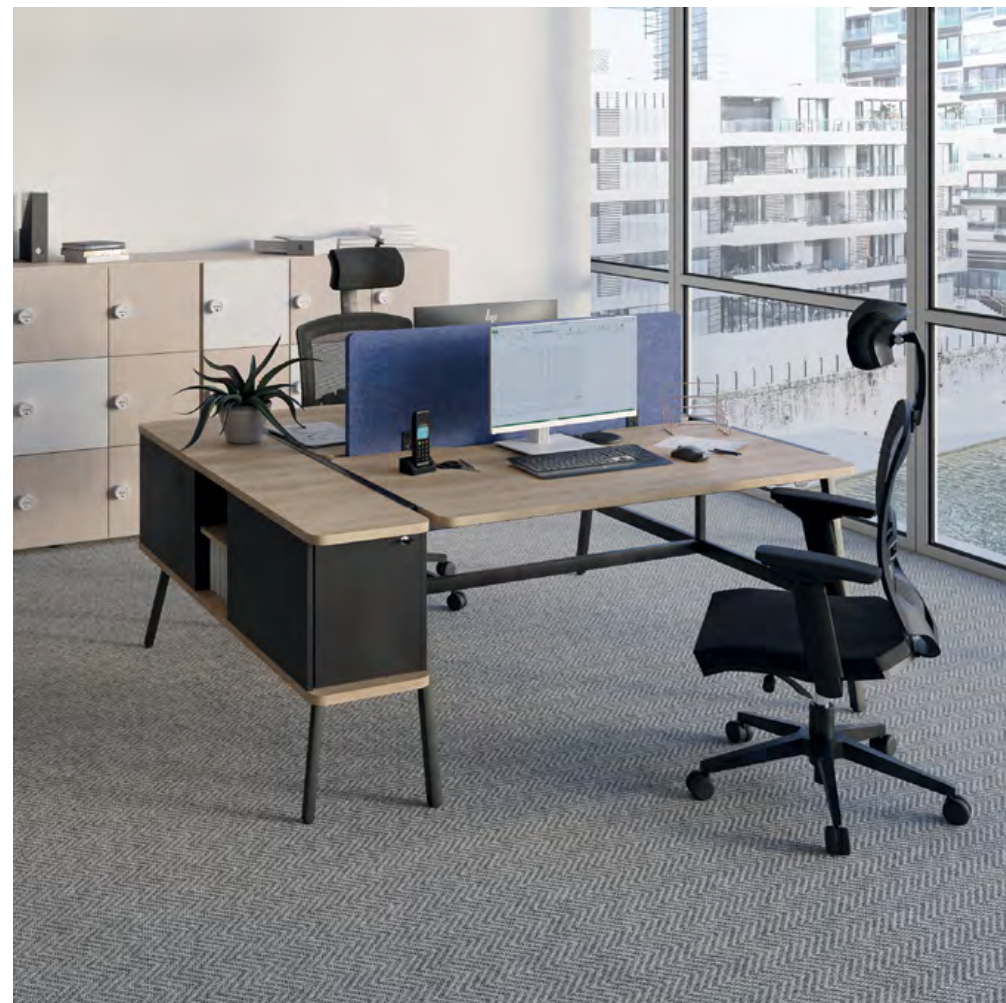


Ergonomic solutions for all your living spaces at work

Comfortable and practical, **Alto** offers numerous ergonomic solutions for users and adapts to all living spaces at work, thanks to its numerous advantages : fine and sleek look with its "A" arch legs, ergonomic tops with rounded corners and built-in cable management, 2 work or meeting top heights (75 or 105 cm) for greater comfort, scalable configurations based on the starter/add-on principle and innovating proximity storage and connection solutions.

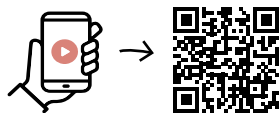


Single desk with return and Solo pedestal,
standard legs H 75 cm
Black - Nebraska



Multi-workstations with Duo pedestal,
standard legs H 75 cm
Black - Nebraska

Scan the QR Code
and watch Alto video



Multi-workstation with sliding top starter unit, high legs H 105 cm,
multiworkstation with sliding top add-on unit, standard leg H 75 cm
with Duo pedestal
Black - White



Square high meeting table, high legs H 105 cm
with multi-workstation add-on unit, standard leg H 75 cm
Black - Timber

A ALTO

WARRANTY
10
YEARS

Top

25 mm thick Structurex® melamine-coated tops with 4 40 mm radius rounded corners. 2 mm thick shock-proof ABS edging.

Electrification

Straight tops equipped with a 2,5 cm deep scallop and 2 Ø 80 mm part drilled cable ports.



Structure

Steel structural beams, cross-section 40 x 25 mm.

Structure

Steel structural beams, cross-section 40 x 25 mm.

Leg

Metal « A » arch legs, square cross-section 25 x 25 mm, with a transverse bar at the bottom. Black lacquered epoxy finish. 2 leg heights : H 75 and H 105 cm.

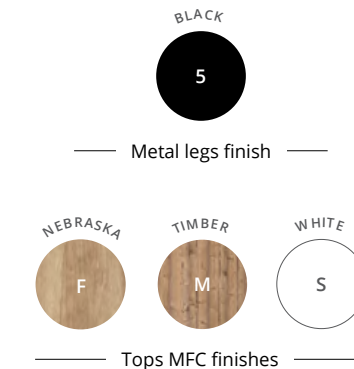
Screw feet

Adjustable screw feet to compensate for any unevenness in the floor.

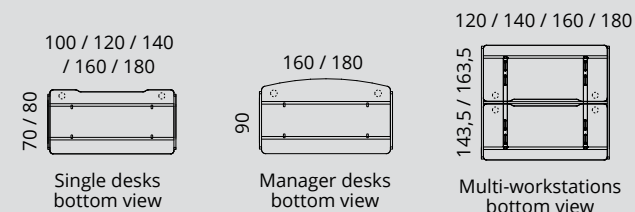
TECHNICAL DESCRIPTION

- 25 mm thick Structurex® melamine-coated tops with 4 40 mm radius rounded corners. 2 mm thick shock-proof ABS edging.
- Straight tops equipped with a 2,5 cm deep scallop. Straight and manager tops equipped with 2 Ø 80 mm part drilled cable ports. Black standard or electrified cable ports available on option.
- Metal « A » arch legs, square cross-section 25 x 25 mm, with a transverse bar at the bottom (multi-workstation). Assembly connected by 2 steel structural beams, cross-section 40 x 25 mm, with black lacquered epoxy finish.
- Legs designed to assemble starter and add-on units of height 75 or 105 cm and hold accessories or options (pedestals, space dividers, accessory supports, extensions).
- Adjustable screw feet of diameter 25 mm and range 15 mm to compensate for any unevenness in the floor.
- In back-to-back multi-workstation configuration, a 3,5 cm gap is provided between the tops for a space divider or to feed cables.
- Alto is available in multi-workstation version with sliding tops, for easy access to the cables and the electrical connections. Cable tray included in each configuration.
- Optional suspended pedestals made of Structurex® melamine-coated panels, 16 mm thick black body, 25 mm thick top and bottom with rounded corners, 2 black metal support legs 25 x 25 mm, supplied with kits for attachment to the desk legs.
- Suspended pedestals (overall dimensions H 75 - 42,5 x L 32,5 cm) available in Solo version for D 70 cm single desks or Duo for D 143,5 cm multi-workstation desks.
- Available in Solo version for single desks (overall dimensions D 70 x H 75 - 42,5 x L 32,5 cm) or Duo for multi-workstation desks (overall dimensions D 143 x H 75 - 42,5 x L 32,5 cm).
- 2 pedestal versions : with hinged door (internal size D 51 x H 37,5 x L 28,5 cm), equipped with 1 adjustable shelf (3 positions) or with pull-out drawers, equipped with 1 mini drawer with pen tray at the top (internal size D 47,5 x H 5 x L 23,5 cm) and 1 storage tray at the bottom (internal size D 47,5 x H 18 x L 23,5 cm) with guides for lateral filing. Central compartment with side access for Duo pedestals (internal size D 30 x H 37,5 x L 26,5 cm), with fixed shelf.
- Suspended storage with 2 hinged doors and central compartment for multi-workstation desks (overall dim. D 143,5 x H 75-42,5 x L 40 cm).

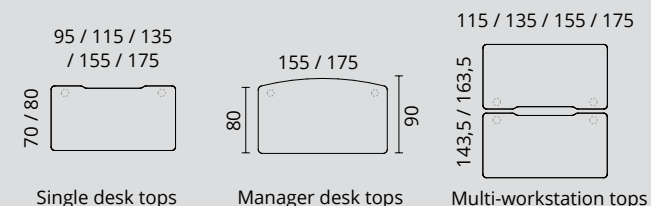
CHARACTERISTICS



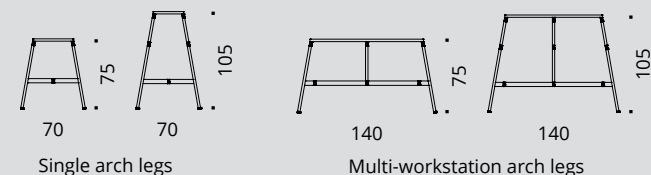
Desk dimensions



Tops synoptic



Legs



CONFIGURATIONS

How to create your own configuration with add-on units ?

STARTER UNITS

ADD-ON UNITS

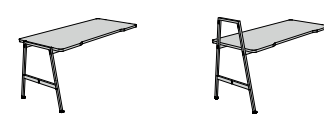
SELECTION OF CONFIGURATIONS

Single desks H 75 cm



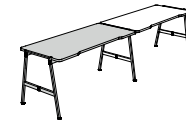
Standard legs
H 75 cm

High legs
H 105 cm

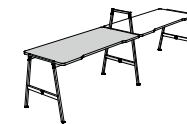


Standard leg
H 75 cm

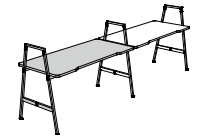
High leg
H 105 cm



1 single desk starter unit, legs H 75 cm
+ 1 single desk add-on unit, leg H 75 cm



1 single desk starter unit, legs H 75 cm
+ 1 single desk add-on unit, leg H 105 cm



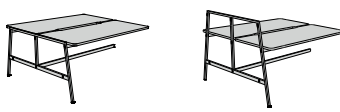
1 single desk starter unit, legs H 105 cm
+ 1 single desk add-on unit, leg H 105 cm

Multi-workstations H 75 cm



Standard legs
H 75 cm

High legs
H 105 cm



Standard leg
H 75 cm

High leg
H 105 cm



1 multi-workstation starter unit, legs H 75 cm
+ 1 multi-workstation add-on unit, leg H 75 cm



1 multi-workstation starter unit, legs H 75 cm
+ 1 multi-workstation add-on unit, leg H 105 cm



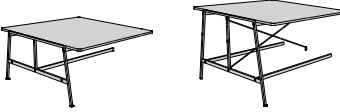
1 multi-workstation starter unit, legs H 105 cm
+ 1 multi-workstation add-on unit, leg H 105 cm

Square meeting tables H 75 / 105 cm



Standard legs
H 75 cm

High legs
H 105 cm



Standard leg
H 75 cm

High leg
H 105 cm



1 square table starter unit, legs H 75 cm
+ 1 square table add-on unit, leg H 75 cm



1 square high table starter unit, legs H 105 cm
+ 1 square table add-on unit, leg H 75 cm



1 square high table starter unit, legs H 105 cm
+ 1 square high table add-on unit, leg H 105 cm

Rectangular meeting tables H 105 cm



High legs
H 105 cm



High leg
H 105 cm



1 rectangular high table
starter unit, legs H 105 cm
+ 1 rectangular high table add-on unit, leg H 105 cm



1 rectangular high table
starter unit, legs H 105 cm
+ 1 single desk add-on unit, leg H 75 cm



1 rectangular high table
starter unit, legs H 105 cm
+ 1 single desk add-on unit, leg H 105 cm

Single desks with Solo pedestals and
modesty panels, standard legs H 75 cm
Black - White



Single desk with return and Solo pedestal, standard legs H 75 cm
Black - Nebraska



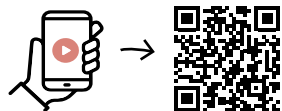
Single desk with front acoustic fabric screen, high legs H 105 cm
Black - Timber





Manager desk with «D end» extension and modesty panel,
standard legs H 75 cm
Black - Nebraska

Video : How to create an opening
in part drilled tops ?



Scan the QR Code

Single desks with front and return acoustic
fabric screens, high legs H 105 cm
Black - White







COLLABORATIVE DESKS




SINGLE DESKS



		Dim. (cm)	Ref.	Top finish		Ref.	Top finish
Straight desks H 75 cm Starter unit Standard legs H 75 cm		L 100	DS405	+ <input type="checkbox"/>		DS485	+ <input type="checkbox"/>
		L 120	DS415	+ <input type="checkbox"/>		DS495	+ <input type="checkbox"/>
		L 140	DS425	+ <input type="checkbox"/>		DS505	+ <input type="checkbox"/>
		L 160	DS435	+ <input type="checkbox"/>		DS515	+ <input type="checkbox"/>
		L 180	—	—		DS525	+ <input type="checkbox"/>
Straight desks H 75 cm Add-on unit Standard leg H 75 cm		L 100	DS445	+ <input type="checkbox"/>		DS535	+ <input type="checkbox"/>
		L 120	DS455	+ <input type="checkbox"/>		DS545	+ <input type="checkbox"/>
		L 140	DS465	+ <input type="checkbox"/>		DS555	+ <input type="checkbox"/>
		L 160	DS475	+ <input type="checkbox"/>		DS565	+ <input type="checkbox"/>
		L 180	—	—		DS575	+ <input type="checkbox"/>
Straight desks H 75 cm Starter unit High legs H 105 cm		L 100	DS585	+ <input type="checkbox"/>		DS665	+ <input type="checkbox"/>
		L 120	DS595	+ <input type="checkbox"/>		DS675	+ <input type="checkbox"/>
		L 140	DS605	+ <input type="checkbox"/>		DS685	+ <input type="checkbox"/>
		L 160	DS615	+ <input type="checkbox"/>		DS695	+ <input type="checkbox"/>
		L 180	—	—		DS705	+ <input type="checkbox"/>
Straight desks H 75 cm Add-on unit High leg H 105 cm		L 100	DS625	+ <input type="checkbox"/>		DS715	+ <input type="checkbox"/>
		L 120	DS635	+ <input type="checkbox"/>		DS725	+ <input type="checkbox"/>
		L 140	DS645	+ <input type="checkbox"/>		DS735	+ <input type="checkbox"/>
		L 160	DS655	+ <input type="checkbox"/>		DS745	+ <input type="checkbox"/>
		L 180	—	—		DS755	+ <input type="checkbox"/>

Tops come with 2 Ø 80 mm part drilled cable ports

Manager desks NEW

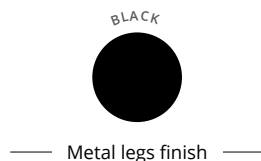
		Dim. (cm)	Ref.	Top finish
Manager desks H 75 cm Standard legs H 75 cm		D 90 / L 160	DY325	+ <input type="checkbox"/>
		D 90 / L 180	DY335	+ <input type="checkbox"/>

Tops come with 2 Ø 80 mm part drilled cable ports

► Extensions NEW

	Dim. (cm)	Ref.	Top finish		Dim. (cm)	Ref.	Top finish
Extensions / Returns On support leg H 75 cm	D 50 / L 70	DS765	+ <input type="checkbox"/>				
	D 50 / L 100	DS775	+ <input type="checkbox"/>				
«D end» extensions For fixing on legs with brackets D 35 cm					L 70 cm	DY215	+ <input type="checkbox"/>
					L 80 cm	DY225	+ <input type="checkbox"/>

How to order ? Straight desk D 80 / L 160 cm, starter unit, **Black** standard leg, **Timber** top MFC finish = DS515 + _M_



► Pedestals

Description	Ref.	Top / base finish
Solo suspended pedestal with hinged door D 70 / H 75 - 42,5 / L 32,5 cm for single desks D 70 / D 80 cm	DT005	+ []
Solo suspended pedestal with drawers D 70 / H 75 - 42,5 / L 32,5 cm for single desks D 70 / D 80 cm	DT015	+ []



► Acoustic fabric screens

Description	Ref.	Screen finish
Front screens H 40 cm, to be fixed by clamps	L 80 for L 100 cm desk DS885 L 100 for L 120 cm desk DS895 L 120 for L 140 cm desk DS905 L 140 for L 160 cm desk DS915 L 160 for L 180 cm desk DS925	+ []
Metal attachment clamps for front screen	DS365G	Black
End Solo return screens H 55 cm, to be fixed by clamps	L 70 for D 70 cm desk DS945 L 80 for D 80 cm desk DS955	+ []
Metal attachment clamps for fixed return screen	DP935G	Black
Shared Solo return screens H 40 cm, free-standing on metal brackets	L 70 for D 70 cm desk DS975 L 80 for D 80 cm desk DS985	+ []
Free-standing metal brackets for free-standing return screen	DP975G	Black

► Options

Description	Ref.	Finish	Description	Ref.	Finish
Technical metal cable trays D 16 / H 8 cm Internal H 4 cm	L 50 for L 100 cm desk DS785G L 70 for L 120 cm desk DS795G L 90 for L 140 cm desk DS805G L 110 for L 160 cm desk DS815G L 130 for L 180 cm desk DS825G	Black	Suspended modesty panels H 30 cm H 35 cm desk mounted	L 50 for L 100 cm desk DS835G L 70 for L 120 cm desk DS845G L 90 for L 140 cm desk DS855G L 110 for L 160 cm desk DS865G L 130 for L 180 cm desk DS875G	Black
Accessories hooks For helmet, bag, coat. For fixing on legs	DT035G	Black			

A ALTO | MULTI-WORKSTATIONS



Multi-workstation with sliding tops, starter unit, high legs H 105 cm
multi-workstation with sliding tops, add-on unit, standard leg H 75 cm
with Duo pedestal
Black - White

Square high meeting table, high legs H 105 cm,
multi-workstation add-on unit, standard leg H 75 cm
Black - Timber



Optional black metal storage box
(optional accessory)





Multi-workstation with Duo pedestal, standard legs H 75 cm
Black - Nebraska

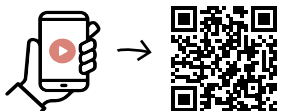


Pebble low table, metal legs
Black - White



Multi-workstation starter unit, high legs H 105 cm
multi-workstation add-on unit, standard leg H 75 cm
with Duo bench and end Duo return screen
Black - Timber

Video : How to create an opening in part drilled tops ?



Scan the QR Code



MULTI-WORKSTATIONS with fixed tops

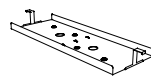


		Dim. (cm)	Ref.	Top finish		Ref.	Top finish
2 back to back desks H 75 cm Starter unit Standard legs H 75 cm <i>(optional metal cable tray)</i>		L 120	DT045	+ <input type="checkbox"/>		DT105	+ <input type="checkbox"/>
		L 140	DT055	+ <input type="checkbox"/>		DT115	+ <input type="checkbox"/>
		L 160	DT065	+ <input type="checkbox"/>		DT125	+ <input type="checkbox"/>
		L 180	—	—		DT135	+ <input type="checkbox"/>
2 back to back desks H 75 cm Add-on unit Standard leg H 75 cm <i>(optional metal cable tray)</i>		L 120	DT075	+ <input type="checkbox"/>		DT145	+ <input type="checkbox"/>
		L 140	DT085	+ <input type="checkbox"/>		DT155	+ <input type="checkbox"/>
		L 160	DT095	+ <input type="checkbox"/>		DT165	+ <input type="checkbox"/>
		L 180	—	—		DT175	+ <input type="checkbox"/>
2 back to back desks H 75 cm Starter unit High legs H 105 cm <i>(optional metal cable tray)</i>		L 120	DT185	+ <input type="checkbox"/>		DT245	+ <input type="checkbox"/>
		L 140	DT195	+ <input type="checkbox"/>		DT255	+ <input type="checkbox"/>
		L 160	DT205	+ <input type="checkbox"/>		DT265	+ <input type="checkbox"/>
		L 180	—	—		DT275	+ <input type="checkbox"/>
2 back to back desks H 75 cm Add-on unit High leg H 105 cm <i>(optional metal cable tray)</i>		L 120	DT215	+ <input type="checkbox"/>		DT285	+ <input type="checkbox"/>
		L 140	DT225	+ <input type="checkbox"/>		DT295	+ <input type="checkbox"/>
		L 160	DT235	+ <input type="checkbox"/>		DT305	+ <input type="checkbox"/>
		L 180	—	—		DT315	+ <input type="checkbox"/>

Tops come with 2 Ø 80 mm part drilled cable ports

► Options

	Description	Ref.	Finish
Double metal cable trays D 33,5 / H 9 / Internal H 4,5 cm	L 65 for L 120 cm desk	DT325G	Black
	L 85 for L 140 cm desk	DT335G	
	L 105 for L 160 cm desk	DT345G	
	L 125 for L 180 cm desk	DT355G	





MULTI-WORKSTATIONS with sliding tops



		Dim. (cm)	Ref.	Top finish		Ref.	Top finish
2 back to back desks H 75 cm Starter unit Standard legs H 75 cm <i>(metal cable tray included)</i>		L 120	DT425	+ <input type="checkbox"/>		DT485	+ <input type="checkbox"/>
		L 140	DT435	+ <input type="checkbox"/>		DT495	+ <input type="checkbox"/>
		L 160	DT445	+ <input type="checkbox"/>		DT505	+ <input type="checkbox"/>
		L 180	—	—		DT515	+ <input type="checkbox"/>
2 back to back desks H 75 cm Add-on unit Standard leg H 75 cm <i>(metal cable tray included)</i>		L 120	DT455	+ <input type="checkbox"/>		DT525	+ <input type="checkbox"/>
		L 140	DT465	+ <input type="checkbox"/>		DT535	+ <input type="checkbox"/>
		L 160	DT475	+ <input type="checkbox"/>		DT545	+ <input type="checkbox"/>
		L 180	—	—		DT555	+ <input type="checkbox"/>
2 back to back desks H 75 cm Starter unit High legs H 105 cm <i>(metal cable tray included)</i>		L 120	DT565	+ <input type="checkbox"/>		DT625	+ <input type="checkbox"/>
		L 140	DT575	+ <input type="checkbox"/>		DT635	+ <input type="checkbox"/>
		L 160	DT585	+ <input type="checkbox"/>		DT645	+ <input type="checkbox"/>
		L 180	—	—		DT655	+ <input type="checkbox"/>
2 back to back desks H 75 cm Add-on unit High leg H 105 cm <i>(metal cable tray included)</i>		L 120	DT595	+ <input type="checkbox"/>		DT665	+ <input type="checkbox"/>
		L 140	DT605	+ <input type="checkbox"/>		DT675	+ <input type="checkbox"/>
		L 160	DT615	+ <input type="checkbox"/>		DT685	+ <input type="checkbox"/>
		L 180	—	—		DT695	+ <input type="checkbox"/>

Tops come with 2 Ø 80 mm part drilled cable ports

► Extensions

NEW

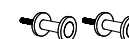
«D end» extensions
 For fixing on legs with brackets (right or left mounting)
 D 35 cm



Dim. (cm)	Ref.	Top finish
L 143,5 cm	DY245	+ <input type="checkbox"/>
L 163,5 cm	DY255	+ <input type="checkbox"/>

► Options

Accessories hooks
 For helmet, bag, coat.
 For fixing on legs
 and on return screens



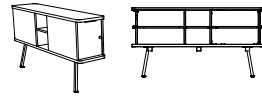
Description	Ref.	Finish
Set of 2	DT035G	Black



OPTIONS

► Pedestals & storage

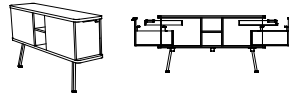
Duo suspended pedestal with hinged doors
D 143,5 / H 75 - 42,5 / L 32,5 cm
for multi-workstations and meeting tables
D 143,5 / D 163,5 cm



Description
2 hinged doors + 1 central compartment
+ 1 adjustable interior shelf,
1 handle, 1 lock per pedestal
Black pedestal body
2 metal legs

Ref. DT395
Top / base finish +

Duo suspended pedestal with drawers
D 143,5 / H 75 - 42,5 / L 32,5 cm
for multi-workstations and meeting tables
D 143,5 / D 163,5 cm

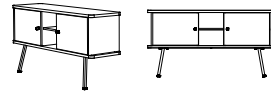


Description
2 front panels + 1 central compartment
+ 2 pull-out drawers,
1 handle, 1 lock per pedestal
Black pedestal body
2 metal legs

Ref. DT405
Top / base finish +

NEW

Storage with hinged doors
D 143,5 / H 75 - 42,5 / L 40 cm
for multi-workstations and meeting tables
D 143,5 / D 163,5 cm



Description
2 hinged doors + 1 central compartment
+ 1 adjustable interior shelf,
1 handle, 1 lock per storage
Black storage body - doors MFC finishes
2 metal legs

Ref. DY265
Top / base finish +

Slim mobile pedestal with drawers
D 55 / H 60 / L 32 cm
One-tone



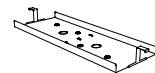
Description
2 drawers including 1 mini top drawer H 6 cm with
pen tray + bottom tray drawer H 20 cm
1 handle - 1 lock

Ref. DT025
Top / base finish +



► Cable management

Double metal cable trays
D 33,5 / H 9 / Internal H 4,5 cm



Description
L 65 for L 120 cm desk
L 85 for L 140 cm desk
L 105 for L 160 cm desk
L 125 for L 180 cm desk

Ref. DT325G
DT335G
DT345G
DT355G
Finish Black

Spine cable channel



Description
Articulated PVC universal spine cable channel
To be fixed under the tops with wood screws

Ref. AC415G
Finish Black

Vertical cable channel
Polyester sleeve Ø 25 mm
Non fire standard Zip closure



Description
L 110 cm
L 150 cm for high tables

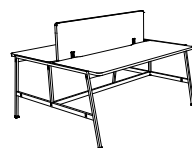
Ref. DR845G
DR855G
Finish Black



► Acoustic fabric screens

Front screens

H 40 cm, to be fixed by clamps



Description
L 100 for L 120 cm desk
L 120 for L 140 cm desk
L 140 for L 160 cm desk
L 160 for L 180 cm desk

Ref.
DS895
DS905
DS915
DS925

Screen finish
+
+
+
+

Metal attachment clamps
for front screen



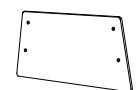
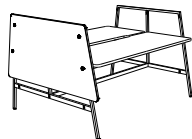
For multi-workstations

DS385G

Black

End Duo return screen

H 72 cm, to be fixed with screws
on legs H 75 / H 105 cm



L 143 cm for multi-workstations
D 143,5 / D 163,5 cm

DT375

+

Shared Duo return screens

H 40 cm
For leg H 105 cm : to be fixed with screws



L 143 cm for multi-workstations
D 143,5 / D 163,5 cm

DT385

+

For leg H 75 cm : free-standing metal
brackets



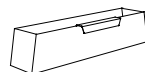
For multi-workstations

DP975G

Black

Black metal storage box

D 14 / H 12,5 / L 54 cm
Internal dimensions : D 10,5 / H 12 / L 50 cm



Hooks on legs H 75 / H 105 cm
and on screens

DX305G

Black



► Bench

Duo bench

D 45 / H 113 / L 143,5 cm
Seat H 41 cm - Seat D 42,5 cm
for multi-workstations and meeting tables
D 143,5 / D 163,5 cm



Description

Foam seat upholstered with Step Melange
fabric, 100% Trevira CS M1 fire resistance
Seat D 6 cm. Screwed to the Duo legs
(H 75 or H 105 cm)

Ref.

DT415

Finish

+



► Low table

NEW

Pebble low table

H 34 cm on metal legs



Description

L 70 / D 70 CM

Ref.

DY365

Finish

+

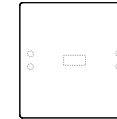
How to order ? Duo bench, Black leg, Blue seat and backrest finish = DT415 + T



Square MEETING TABLES

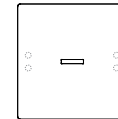
WITH PART DRILLED CABLE MANAGEMENT







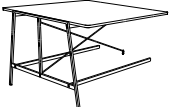
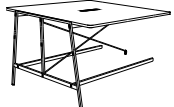
Tops equipped with 4 Ø 80 mm part drilled cable ports and 1 double opening Top Access hatch



WITH ELECTRICAL EQUIPMENT

Tops equipped with 1 built-in electrical socket strip (3 power outlets + USB A/C) and 4 Ø 80 mm part drilled cable ports



	Dim. (cm)		Ref.	Top finish		Ref.	Top finish
Square tables H 75 cm Starter unit Standard legs H 75 cm	D 143,5 / L 140 (seats 4/6)		DT705	+ <input type="checkbox"/>		DU385	+ <input type="checkbox"/>
	D 163,5 / L 160 (seats 6/8)		DT715	+ <input type="checkbox"/>		DU395	+ <input type="checkbox"/>
Square tables H 75 cm Add-on unit Standard leg H 75 cm	D 143,5 / L 140 (seats 4)		DT725	+ <input type="checkbox"/>		DU405	+ <input type="checkbox"/>
	D 163,5 / L 160 (seats 4)		DT735	+ <input type="checkbox"/>		DU415	+ <input type="checkbox"/>
Square high tables H 105 cm Starter unit High legs H 105 cm	D 143,5 / L 140 (seats 4/6)		DT785	+ <input type="checkbox"/>		DU425	+ <input type="checkbox"/>
	D 163,5 / L 160 (seats 6/8)		DT795	+ <input type="checkbox"/>		DU435	+ <input type="checkbox"/>
Square high tables H 105 cm Add-on unit High leg H 105 cm	D 143,5 / L 140 (seats 4)		DT805	+ <input type="checkbox"/>		DU445	+ <input type="checkbox"/>
	D 163,5 / L 160 (seats 4)		DT815	+ <input type="checkbox"/>		DU455	+ <input type="checkbox"/>

► Extensions

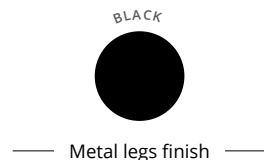
NEW

«D end» extensions

For fixing on legs with brackets
(right or left mounting)
D 35 cm



Dim. (cm)	Ref.	Top finish
L 143,5 cm	DY245	+ <input type="checkbox"/>
L 163,5 cm	DY255	+ <input type="checkbox"/>



Rectangular MEETING TABLES

WITH PART DRILLED CABLE MANAGEMENT

Tops equipped with 2 Ø 80 mm part drilled cable ports and 1 double opening Top Access hatch



WITH ELECTRICAL EQUIPMENT

Tops equipped with 1 built-in electrical socket strip (3 power outlets + USB A/C) and 2 Ø 80 mm part drilled cable ports



	Dim. (cm)		Ref.	Top finish		Ref.	Top finish
Rectangular high tables H 105 cm Starter unit High legs H 105 cm	D 90 / L 140		DT865	+		DU465	+
	D 90 / L 160		DT875	+		DU475	+
	D 90 / L 180		DT885	+		DU485	+
Rectangular high tables H 105 cm Add-on unit High leg H 105 cm	D 90 / L 140		DT895	+		DU495	+
	D 90 / L 160		DT905	+		DU505	+
	D 90 / L 180		DT915	+		DU515	+

► Extension

NEW

«D end» extension

For fixing on legs with brackets (right or left mounting)
D 35 cm

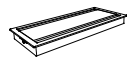


Dim. (cm)	Ref.	Top finish
L 90 cm	DY235	+

► Options

Double opening Top Access hatch

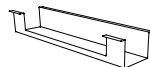
For tables with part drilled cable management



Description	Ref.	Finish
D 14,8 / L 31,6 cm	DU135G	Black

Universal single metal cable tray

For tables with part drilled cable management
D 12 / H 9 / L 60 cm
Internal H 8 cm



Description	Ref.	Finish
To be fixed directly under the tops with wood screws	DP045G	Black

UK cable port power module

UK power socket + 1 USB A socket 5v
With a 2 m power supply cable



Description	Ref.	Finish
Ø 100 mm Fitted into the part drilled cable ports Ø 80 mm	DR995G	Black



NEW



ALTO

Seating solutions

The **Alto** seating solutions are intended for the new welcoming and modular collaborative work spaces and blend perfectly with the contemporary, agile and innovating spirit of the **Alto** range.

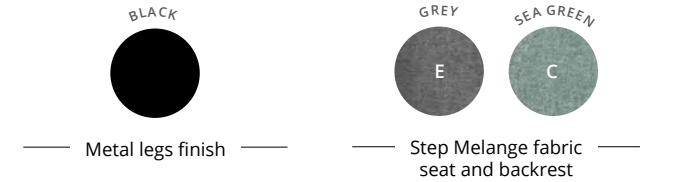
Available as independent settees or back-to-back benches that can be connected to the **Alto** tables and multi-workstation desks, **Alto** seating solutions are comfortable, easy to install thanks to the starter/add-on principle, the ideal solution to configure flexible work spaces.



Download the data sheet



CHARACTERISTICS



Alternative colour options, please contact us

TECHNICAL DESCRIPTION

- 4 metal arch legs, square cross-section 25 x 25 mm, with adjustable screw feet (Ø 25 mm and range 15 mm). Legs designed so that starter/add-on settee modules can be easily assembled together or back-to-back benches placed next to Alto multi-workstation desks/meeting tables.
- Seat structures connected by steel structural beams, cross-section 40 x 25 mm, with black lacquered epoxy finish. Seat and back supports made of 16 mm thick black melamine-coated panel. Assembled with screws.
- Seats with PE foam padding, density 40 kg/m³, attached with Velcro strips. Backrests with PE foam padding, density 30 kg/m³, attached with magnets. Upholstered with Grey or Sea Green Step Melange fabric, 100 % Trevira CS, M1 Fire classification, Oeko-Tex certified.

COLLABORATIVE DESKS



3-seat settee



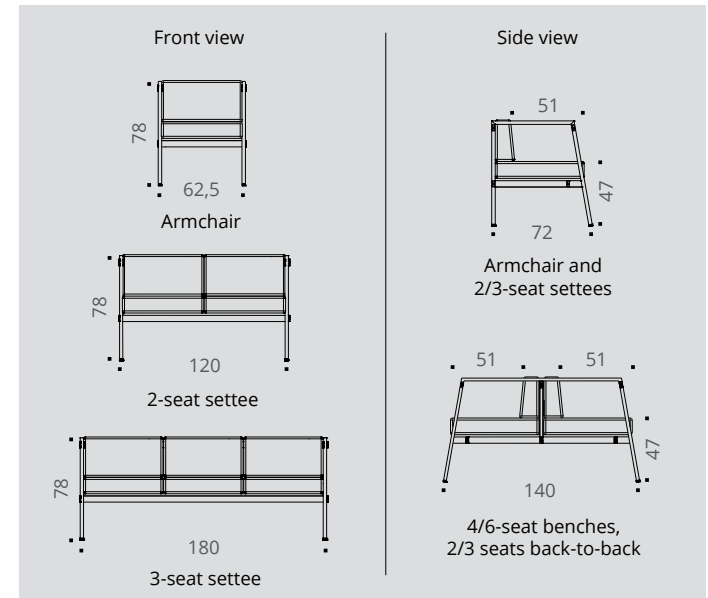
Armchair



2-seat settee



6-seat bench - 3 seats back-to-back

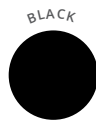


NEW

ALTO Seating solutions



Low tables
➔ Page 346



— Metal legs finish —



— Step Melange fabric seat and backrest —

Alternative colour options, please contact us



Side-by-side SEATING SOLUTIONS



Back-to-back SEATING SOLUTIONS

	Ref.	Fabric finish
--	------	---------------

Armchair
D 72 / H 75-78 / L 62,5 cm



DZ885 +

2-seat settee
D 72 / H 75-78 / L 120 cm



DZ895 +

3-seat settee
D 72 / H 75-78 / L 180 cm



DZ905 +

ADD-ON UNITS

2-seat settee Add-on unit
D 72 / H 75-78 / L 117,5 cm



DZ915 +

3-seat settee Add-on unit
D 72 / H 75-78 / L 177,5 cm



DZ925 +

	Ref.	Fabric finish
--	------	---------------

2-seat bench Back-to-back
D 140 / H 75-78 / L 62,5 cm



DZ935 +

4-seat bench 2 seats back-to-back
D 140 / H 75-78 / L 120 cm



DZ945 +

6-seat bench 3 seats back-to-back
D 140 / H 75-78 / L 180 cm



DZ955 +

ADD-ON UNITS

4-seat bench 2 seats back-to-back Add-on unit
D 140 / H 75-78 / L 117,5 cm



DZ965 +

6-seat bench 3 seats back-to-back Add-on unit
D 140 / H 75-78 / L 177,5 cm



DZ975 +

How to order ? ALTO 3-seat settee L 180 cm, Grey fabric = DZ905 + E